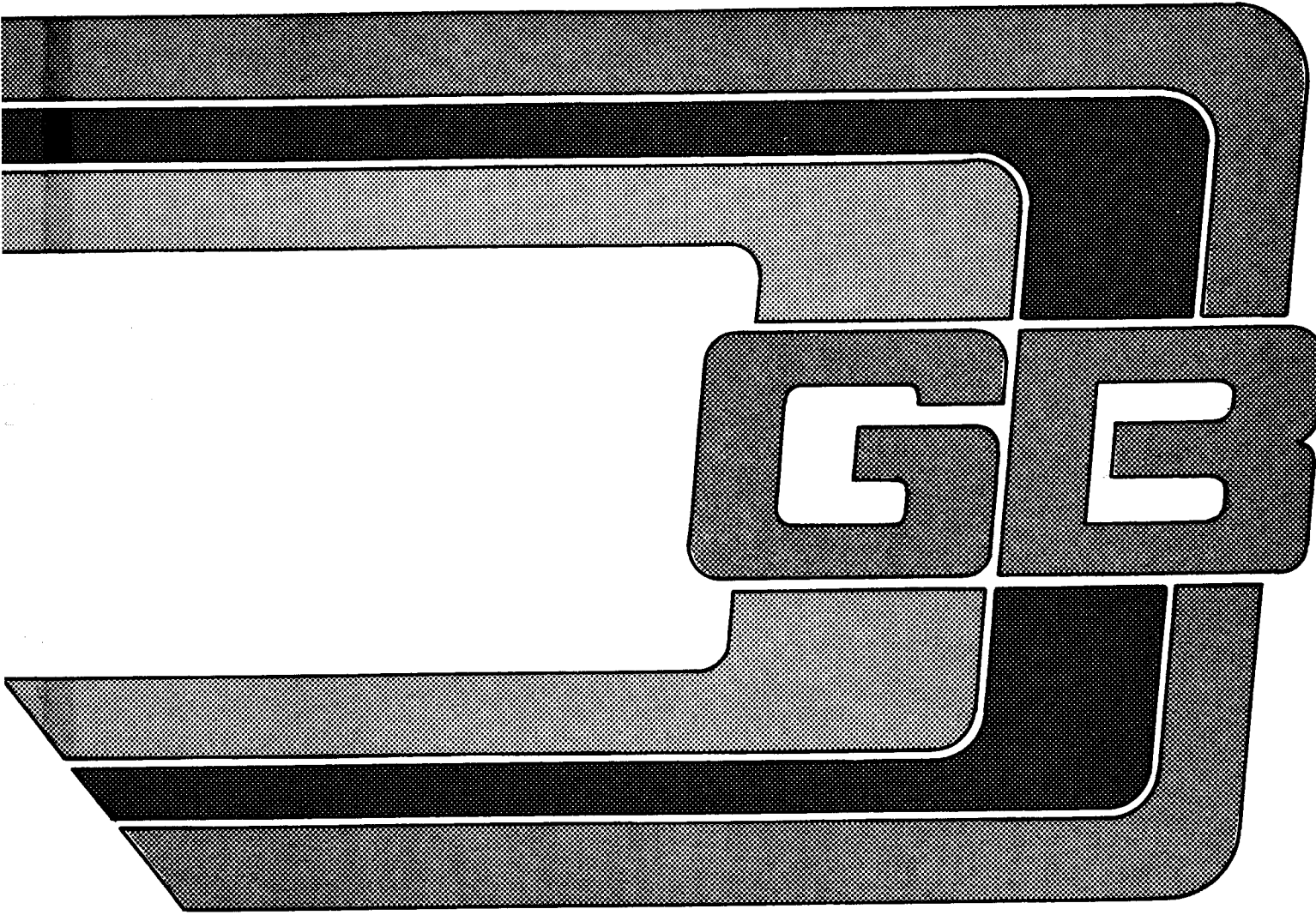


OWNER'S MANUAL



MOTOR HOMES BY . . .
GEORGIE BOY MANUFACTURING, INC.
POST OFFICE DRAWER H • EDWARDSBURG, MICHIGAN 49112 • PHONE (616) 663-3415

Welcome to the recreational-vehicle lifestyle! This manual describes the many features of your recreational vehicle and gives a few simple steps relating to use or maintenance. Use these suggestions to help assure your family of years of carefree, pleasant traveling, or vacationing.

Your dealer's Service or Sales Department will promptly handle any normal problem which might occur. Customer service is of utmost importance to your dealer and is just as important to the manufacturer.

If, for some unusual reason, a problem is not handled to your satisfaction, we make the following suggestions:

1. Discuss any warranty-related problems directly with the General Manager or the Owner of the dealership, giving him an opportunity to help his service department resolve the matter for you.
2. Should a problem arise that cannot be resolved to your satisfaction by your local dealer, contact the factory representative or Georgie Boy Mfg. Inc. Service Department (AC 616-663-3415).
3. The above steps are suggested because of our sincere belief that your dealer and the factory representative will satisfactorily handle any problem which might arise. Should you find their combined efforts have not done so, please send a letter describing the circumstances to Georgie Boy Mfg. Inc., P.O. Drawer H, Edwardsburg, Michigan 49112. Please include the model and serial number of your vehicle.

Thank you for choosing our product. Your Dealer and we, the Manufacturer, will continually strive to merit your confidence.

FOREWORD

This manual describes the various design features and operating procedures of your motor home to aid you in understanding its capabilities.

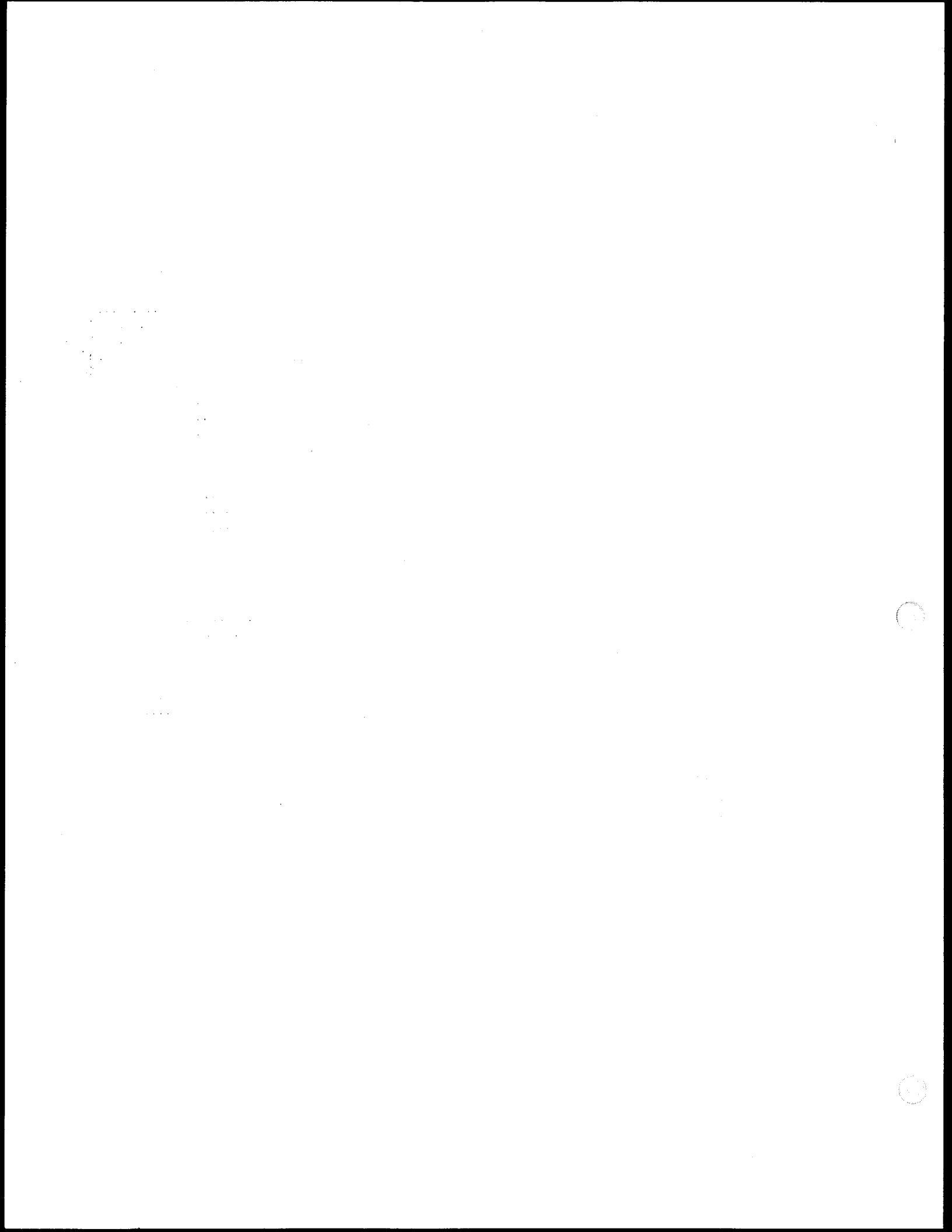
Like all fine equipment, your motor home will require care and regular maintenance in order to retain its maximum performance characteristics. This manual, along with the Chassis Operator's Manual and the information from other component manufacturers provided for your use, defines the important areas of maintenance you will want to follow. The few minutes spent reading and understanding these instructions will result in your having a good working knowledge of the unit. Knowing how to use your motor home and how to keep it properly maintained will help you enjoy thousands of miles of motoring pleasure.

Your motor home has been designed to conform with or exceed the American National Standards Institute Code A119.1 and/or State and Federal motor vehicle standards as applicable. These Standards establish the plumbing, heating, electrical, and other requirements for quality and safety. Compliance with this Standard is indicated by the seal installed just outside the entry door. This seal is the outward sign of internal quality.

Should you have any questions regarding operation, maintenance or service, please contact your DEALER immediately so he can be of assistance.

TABLE OF CONTENTS

PLANNING AND PREPARATION	1
VEHICLE LOAD CAPACITY — WEIGHING	9
READY TO LEAVE	9
Starting and Warmup	9
Safety Belts	9
ON THE ROAD	10
Driving and Parking	10
Overheating	10
Windshield Defrost-Comfort Control	10
12V Fuse Replacement	10
Changing a Tire	10
SERVICING	11
Motor Home Chassis Operator's Manual	11
Engine and Service	11
Battery Service	11
Auxiliary Battery Service	11
Generator Power Plant System Service	11
PLUMBING	13
Fresh Water	13
External Water Supply	13
Filling Fresh Water Supply	13
Troubleshooting Water System	14
Sanitizing Water Tank	14
Waste Water System	15
Waste Water Draining	15
Winterizing Water System	16
Do's and Don'ts	16
ELECTRICAL	17
115-Volt System	17
12-Volt System	17
12-Volt Fuses	17
Auxiliary 12-Volt Battery	20
Auxiliary Generator Power Plant	20
Roof Air Conditioner	20
Standard Automotive Air Conditioner	21
115-Volt AC to 12-Volt DC Converter	21
LIQUID PETROLEUM GAS (LPG) SYSTEM	22
Using your LPG System at Low Temperatures	22
Filling the Chassis-Mounted LPG Tank	22
LPG System Leak Checks	23
LPG APPLIANCES	23
Range Top and Oven	23
Forced Air Furnace	23
Water Heater	24
LPG/Electric Refrigerator	24
EQUIPMENT AND FURNISHINGS	24
Pedestal Seats	24
Spring-Balanced Bunk Beds	24
Pedestal Dinette Tables	24
Pull-Out (Gaucho) Beds	25
Dinette Bed	25
Storage	25
CARE AND MAINTENANCE	25
Interior Cleaning	25
Draperies, Cushions and Upholstery Fabrics	25
Wall Paneling	25
Carpeting	25
Fixtures	25
Windows	25
Locksets and Latches	26
Plumbing	26
Condensation and Ventilation	26
Exterior Care	26
Exterior Metal and Trim	26
Roof	26
Repairs	26



PLANNING AND PREPARATION

Plan your trip and organize all preparations before you leave. Proper preparation can be the key to getting the most enjoyment from your motor home (see Figure 1). The following suggestions are provided only as a guide. Review them carefully before starting on your first trip. Refer to the list when on trips and make note of items forgotten to make subsequent trips even more enjoyable.

- Plan your route carefully. Consult maps and guidebooks (available at most bookstands and newstands) to become aware beforehand of any road conditions, campsite availability, and other circumstances.
- **BE SURE ALL EQUIPMENT IS SERVICED AND READY FOR TRAVEL.** Check the following items.
 - a. Check all fluids including:
 - Motor home engine crankcase oil
 - Transmission fluid
 - Power steering fluid
 - Radiator recovery system reservoir level
 - Master cylinder brake fluid
 - Electrolyte level of batteries
 - Windshield washer reservoir level
 - b. Inspect wheel lugs for tightness. Examine all tires for road damage, then inflate to the proper pressures as recommended in the Chassis Operator's Manual. In using your Chassis Operator's Manual, note that tire pressures are given for cold tires which are to be used under normal driving and load conditions, and also for unusual operating or load conditions.
 - c. Check oil level in the generator power plant (if installed). Refer to instructions and maintenance manual provided by the generator manufacturer for other pre-use service requirements applicable to this equipment. Check that extra oil and other service supplies are provided for the generator power plant if the motor home is to be used for extended periods.
 - d. Check that jack, jack handle, and lug wrench are properly stowed.
 - e. Check that the 115-volt power cord is properly stowed in compartment. A power supply cord adapter will be required in some camping areas. Be sure to use adapters which provide proper electrical ground.
 - f. Check that a serviceable fire extinguisher is secured in the mounting bracket.
 - g. Verify that all items you plan to take are on board.

NOTE: Be sure the weight of passengers, equipment, and supplies does not

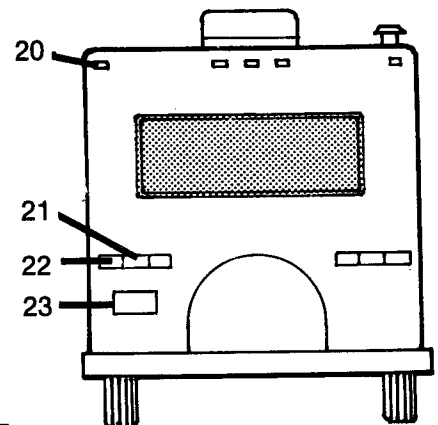
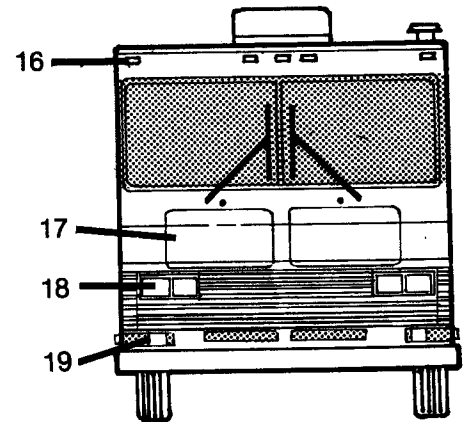
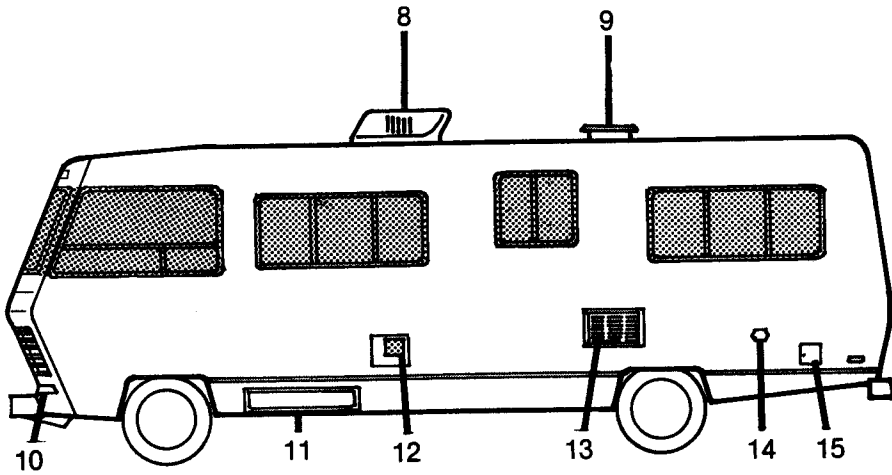
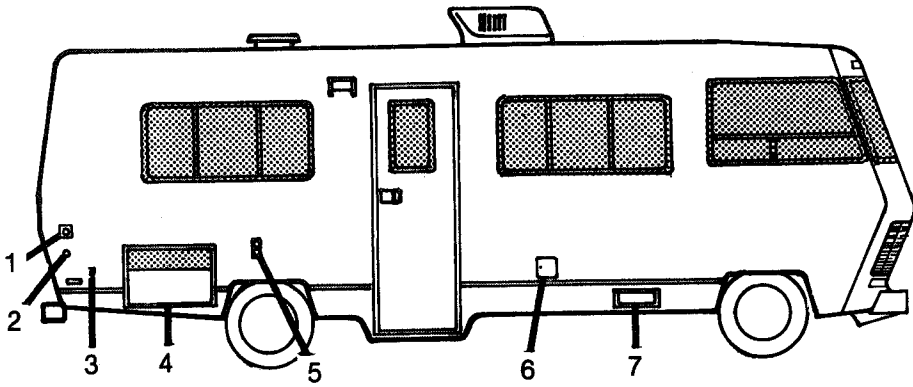
cause your motor home to exceed axle loads and overall vehicle loads for which it was designed. If in doubt, weigh the vehicle at a public scale. See paragraph on "Weighing."

- h. Check that accessories, such as a plastic sewer hose with the necessary fittings and a water supply line (such as garden-hose type approved for 125 psi) are on board. (It may be desirable to check ahead with specific campsites where you plan to stop for any special adapters which may be required.)
 - j. Fill fresh water tank, if required. (Refer to Plumbing Section.)
- Check to see that drain-line cap and holding-tank knife valve(s) are closed and secured. Add a holding-tank chemical to a few gallons of water in your body-waste holding tank. (Refer to Plumbing Section.)
 - Check all stop lights, running lights, and other vehicle safety items.
 - Put motor home contents in "travel" condition.
 - a. Secure any loose objects which could shift while traveling.
 - b. Secure refrigerator contents (place lids on all containers holding liquids, for example) then secure locking latch on refrigerator door.
 - c. Be sure all cabinets have the contents secured and the doors latched.
 - d. Be sure all exterior doors are closed and locked.
 - Adjust the driver's seat to the most comfortable position, then adjust the side-view mirrors for maximum visibility.
 - Fill the fuel tank(s) and give special attention to the operation of the fuel tank switch-over valve (when the optional auxiliary fuel tank is installed) (see Figure 2). Your motor home is designed to use only the fuel recommended in the Chassis Operator's Manual. It is recommended that you use fuel from the auxiliary tank first. Never run a fuel tank completely dry when driving since it can cause the engine to stall and may result in a delay in restarting the engine when switching to the main fuel tank.

WARNING

ALWAYS EXTINGUISH PILOT LIGHTS AND OPEN FLAMES ON APPLIANCES BEFORE FILLING YOUR GASOLINE TANK(S) AND LP TANK.

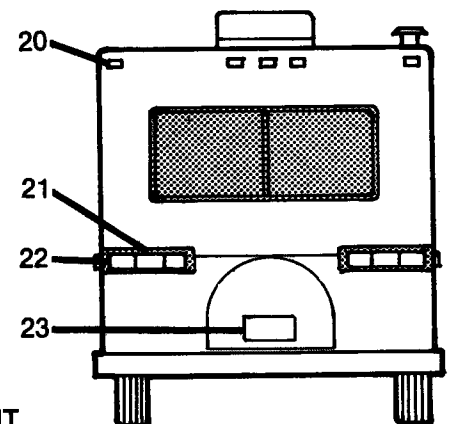
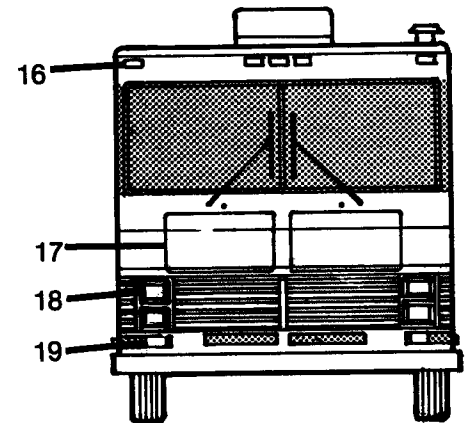
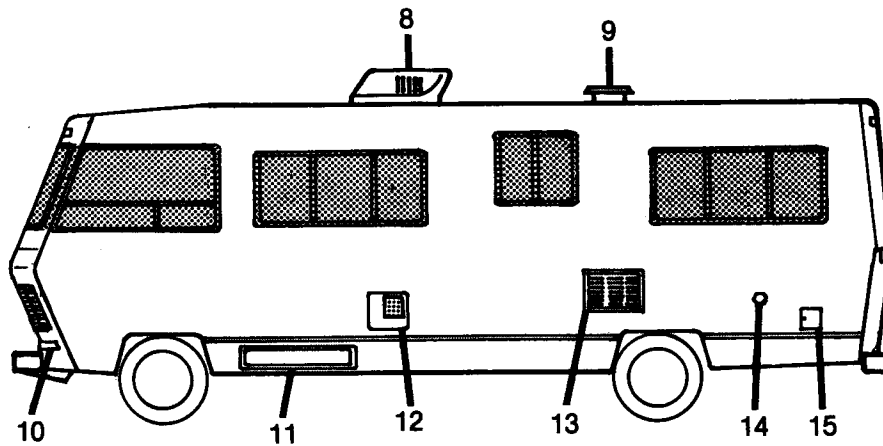
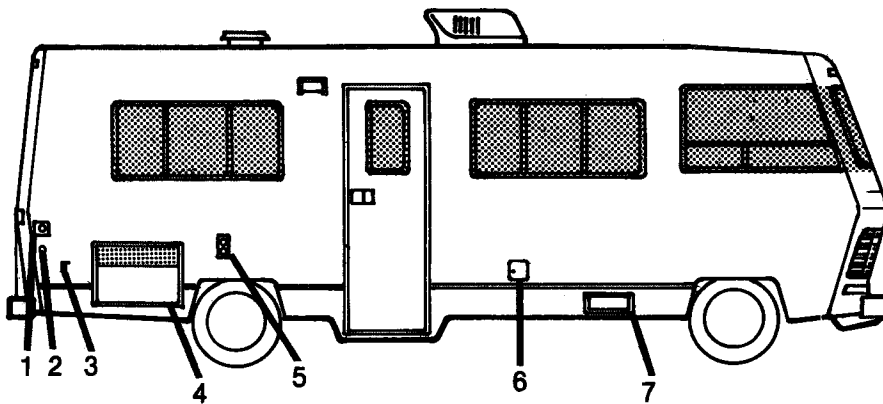
CRUISE AIR II



- 1 Fresh Water Tank Fill
- 2 City Water Connection
- 3 Fresh Water Tank Drain
- 4 Generator Compartment (opt.)
- 5 Furnace Vent
- 6 Auxiliary Fuel Tank
- 7 Chassis Mounted LPG Tank
- 8 Roof Air Conditioner (opt.)
- 9 Refrigerator Vent
- 10 Side Marker Lights
- 11 Under Floor Trunk
- 12 Water Heater Service
- 13 Refrigerator Service
- 14 115 Volt AC Power Cord
- 15 Main Fuel Tank
- 16 Running Lights
- 17 Front Engine Service Door
- 18 Headlights
- 19 Turn Signal & Emergency Flasher Lights
- 20 Running Lights
- 21 Back Up Lights
- 22 Tail, Stop, Turn & Flasher Lights
- 23 License Plate & Light

TYPICAL MOTOR HOME LAYOUT

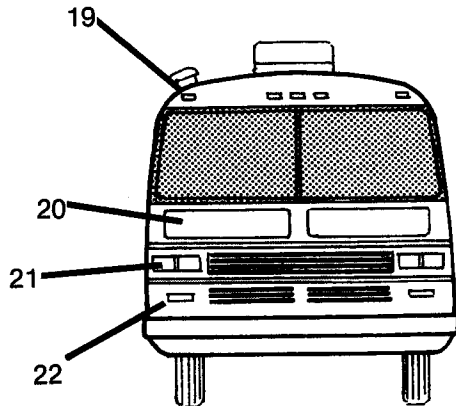
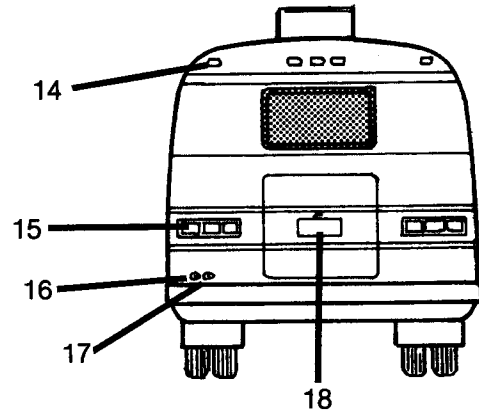
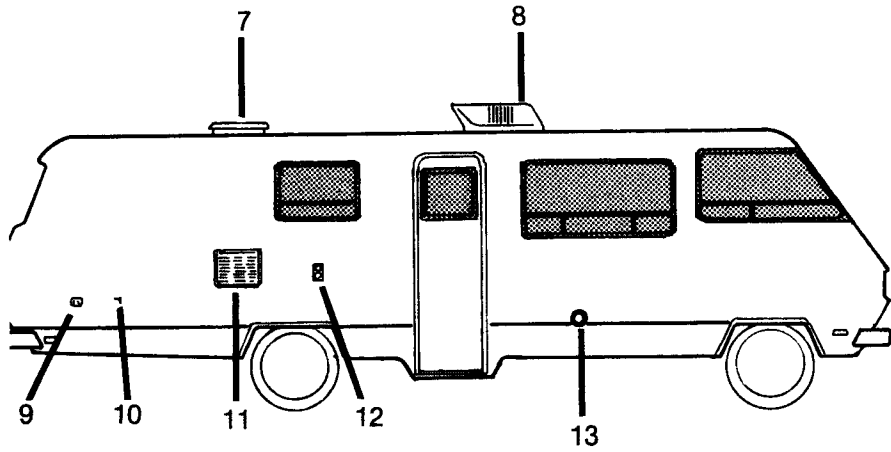
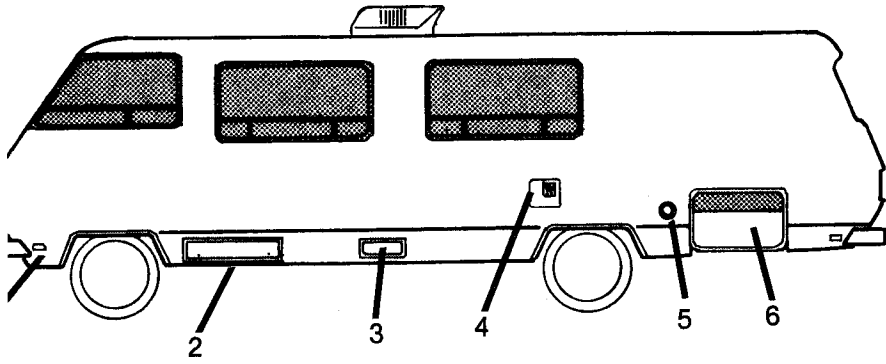
EXCALIBOR



- 1 Fresh Water Tank Fill
- 2 City Water Connection
- 3 Fresh Water Tank Drain
- 4 Generator Compartment (opt.)
- 5 Furnace Vent
- 6 Auxiliary Fuel Tank
- 7 Chassis Mounted LPG Tank
- 8 Roof Air Conditioner (opt.)
- 9 Refrigerator Vent
- 10 Side Marker Lights
- 11 Under Floor Trunk
- 12 Water Heater Service
- 13 Refrigerator Service
- 14 115 Volt AC Power Cord
- 15 Main Fuel Tank
- 16 Running Lights
- 17 Front Engine Service Door
- 18 Headlights
- 19 Turn Signal & Emergency
Flasher Lights
- 20 Running Lights
- 21 Back Up Light
- 22 Tail, Stop, Turn & Flasher Lights
- 23 License Plate & Light

TYPICAL MOTOR HOME LAYOUT

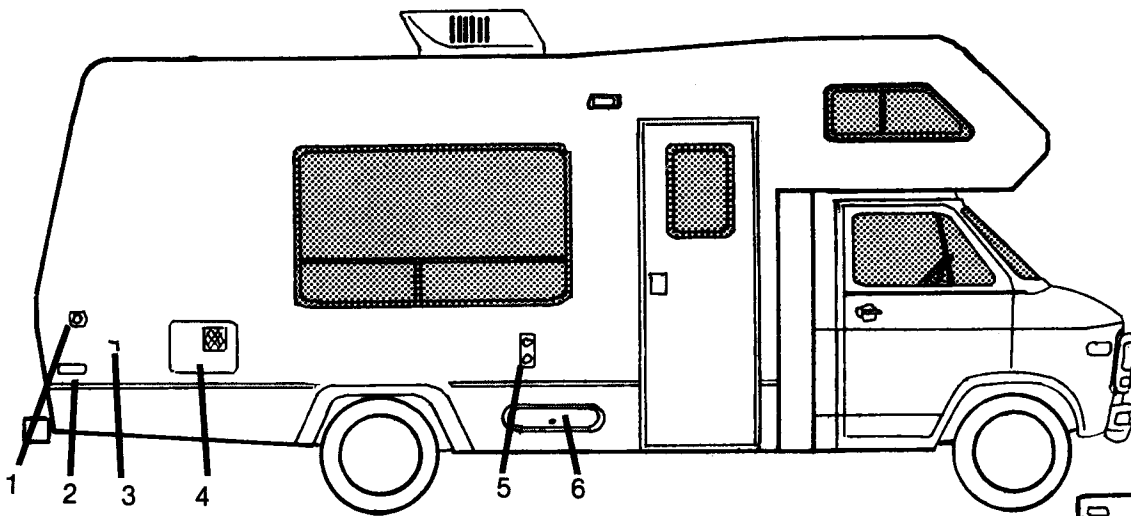
SWINGER



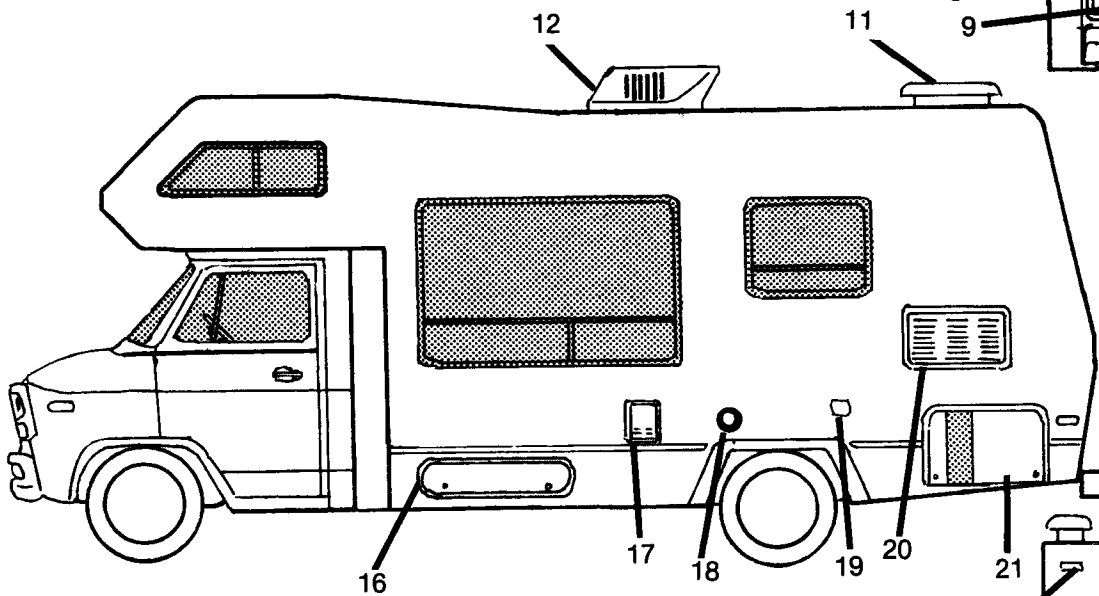
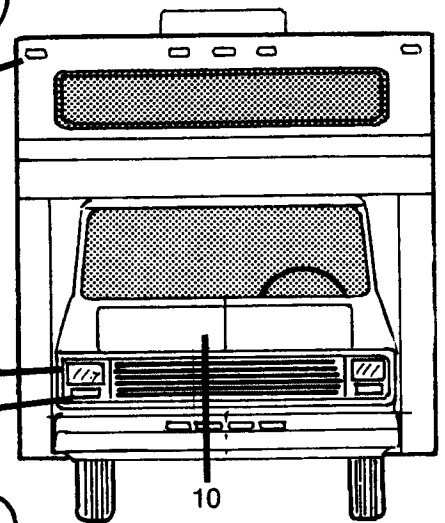
- 1 Side Running Light
- 2 Below the Floor Trunk
- 3 LP Service
- 4 Water Heater Service
- 5 Main Gas Fill
- 6 Generate Compartment
- 7 Refrigeration Vent
- 8 Roof Air Cond. (opt.)
- 9 115 Volt Power Cord
- 10 Fresh Water Tank Drain
- 11 Refrigerator Service
- 12 Furnace Vent
- 13 Aux. Gas Tank Fill
- 14 Rear Running Lights
- 15 Turn, Stop, Tail & Flasher Light
- 16 City Water Fill
- 17 Portable Water Fill
- 18 License Plate & Light
- 19 Front Running Light
- 20 Front Engine Service
- 21 Headlights
- 22 Turn Signal & Emergency Flasher

TYPICAL MOTOR HOME LAYOUT

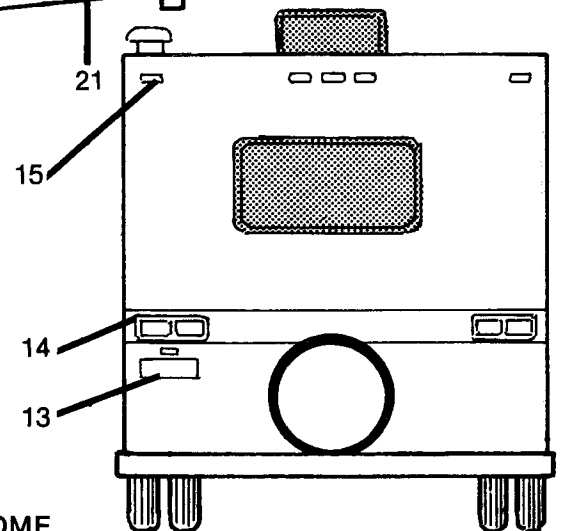
CRUISE MASTER



- 1 Fresh Water Tank Fill
- 2 Side Marker Light
- 3 Fresh Water Tank Drain
- 4 Water Heater Service
- 5 Furnace Vent
- 6 LP Service Door
- 7 Front Running Light
- 8 Headlights
- 9 Turn Signal & Emergency Flasher
- 10 Front Engine Service

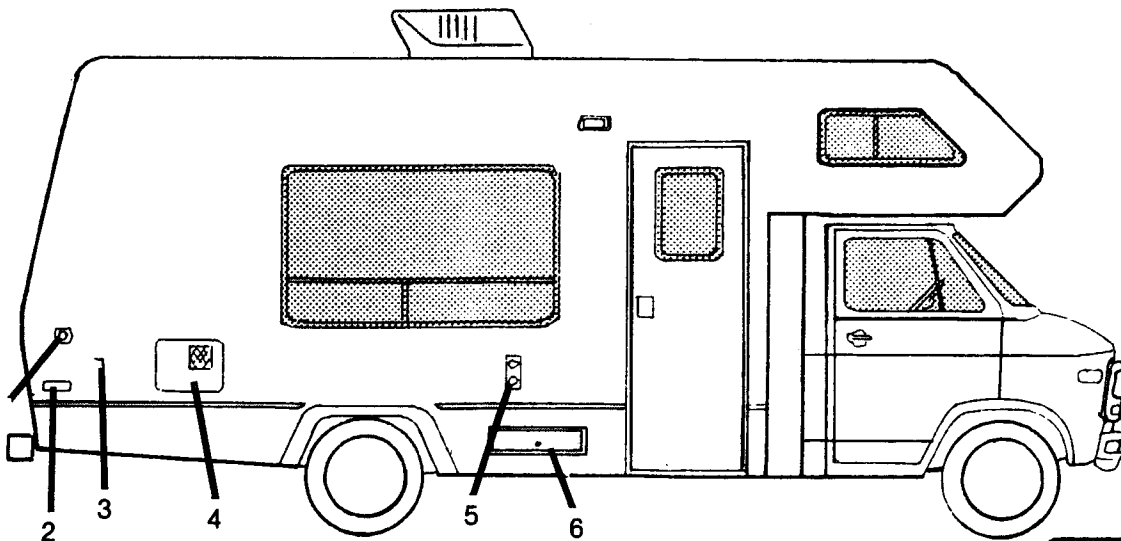


- 11 Refrigeration Vent
- 12 Roof Air Cond. (opt.)
- 13 License Plate & Light
- 14 Turn Signal, Stop, Tail & Flasher Light
- 15 Rear Running Light
- 16 Below the Floor Trunk
- 17 Aux. Battery Storage
- 18 Gas Tank Fill
- 19 115 Volt AC Power Cord
- 20 Refrigerator Service
- 21 Generator Compartment



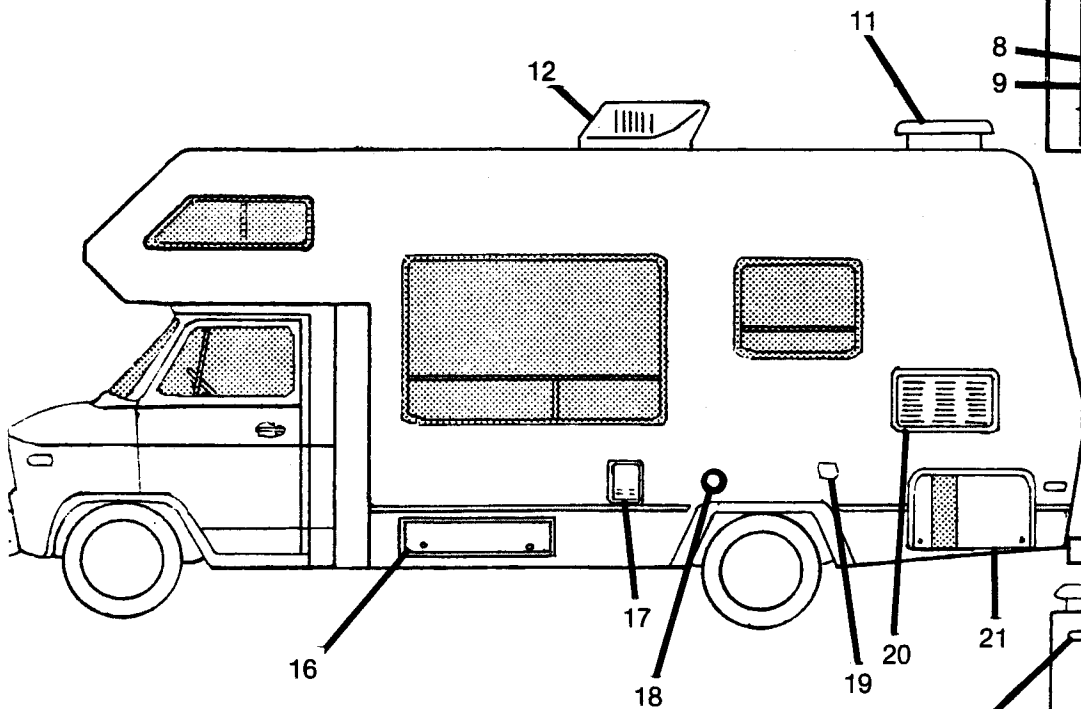
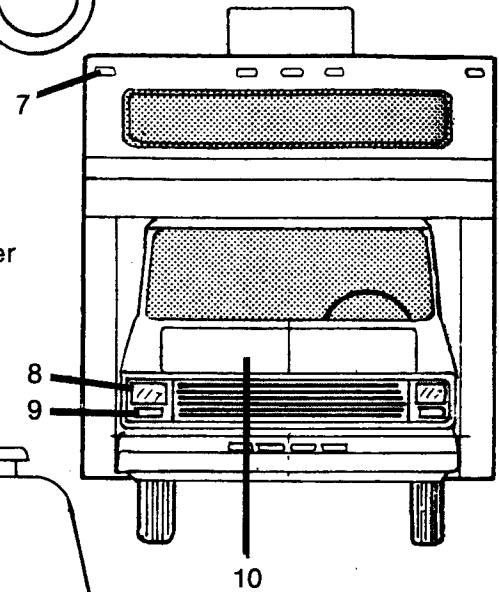
TYPICAL MINI MOTOR HOME

CRUISE AIR MINI



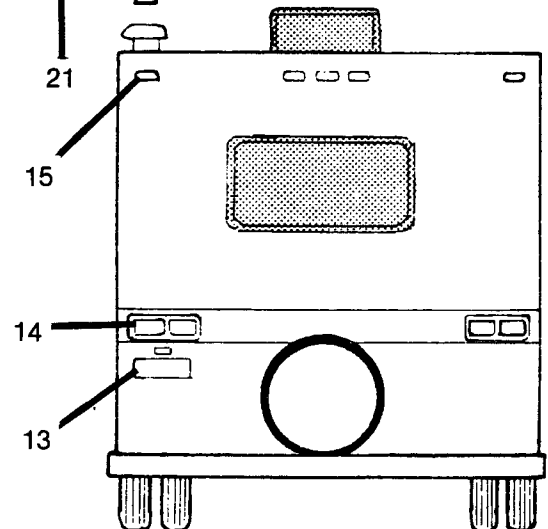
- 1 Fresh Water Tank Fill
- 2 Side Marker Light
- 3 Fresh Water Tank Drain
- 4 Water Heater Service
- 5 Furnace Vent

- 6 LP Service Door
- 7 Front Running Light
- 8 Headlights
- 9 Turn Signal & Emergency Flasher
- 10 Front Engine Service



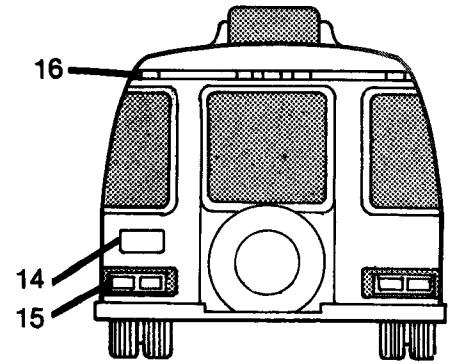
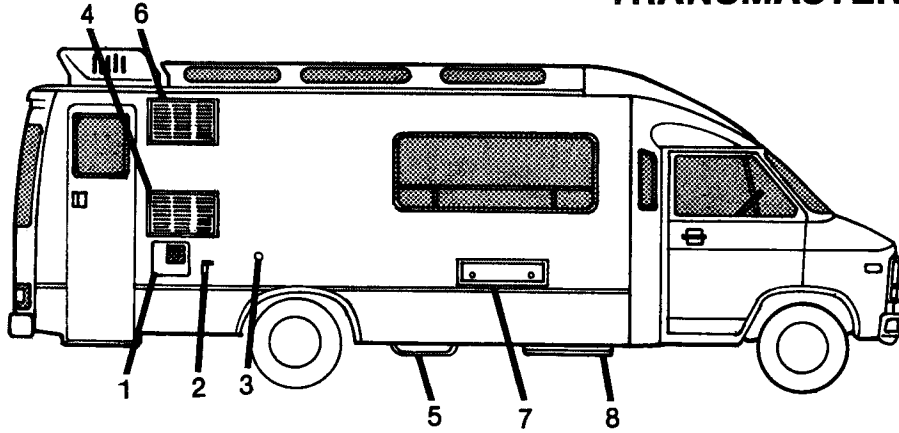
- 11 Refrigeration Vent
- 12 Roof Air Cond. (opt.)
- 13 License Plate & Light
- 14 Turn Signal, Stop, Tail & Flasher Light
- 15 Rear Running Light

- 16 Below The Floor Trunk
- 17 Aux. Battery Storage
- 18 Gas Tank Fill
- 19 115 Volt AC Power Cord
- 20 Refrigerator Service
- 21 Generator Compartment

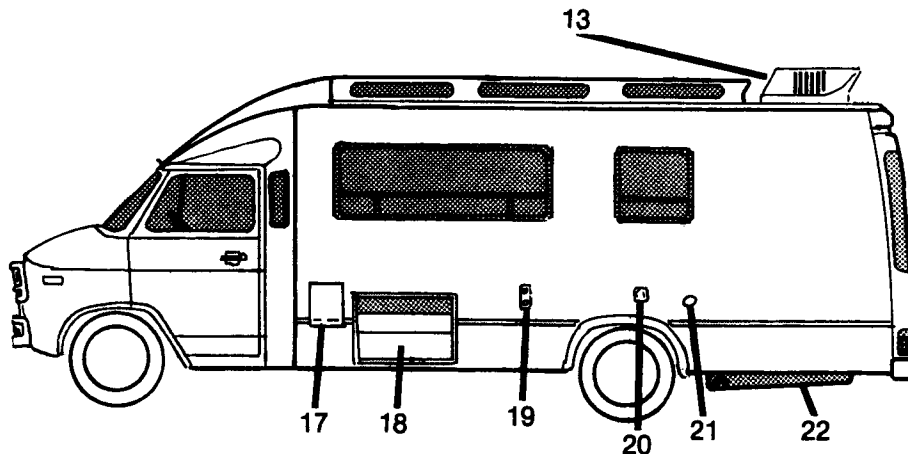
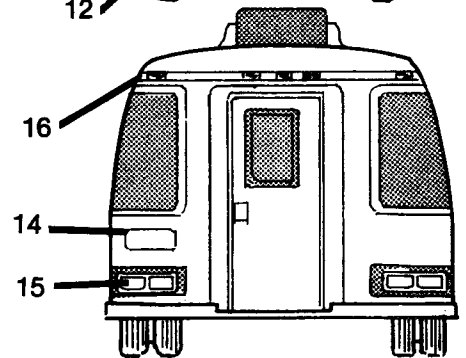
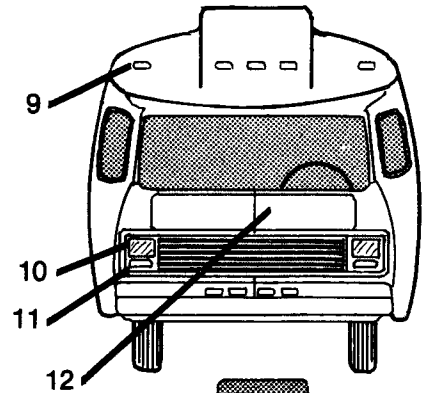


TYPICAL MINI MOTOR HOME

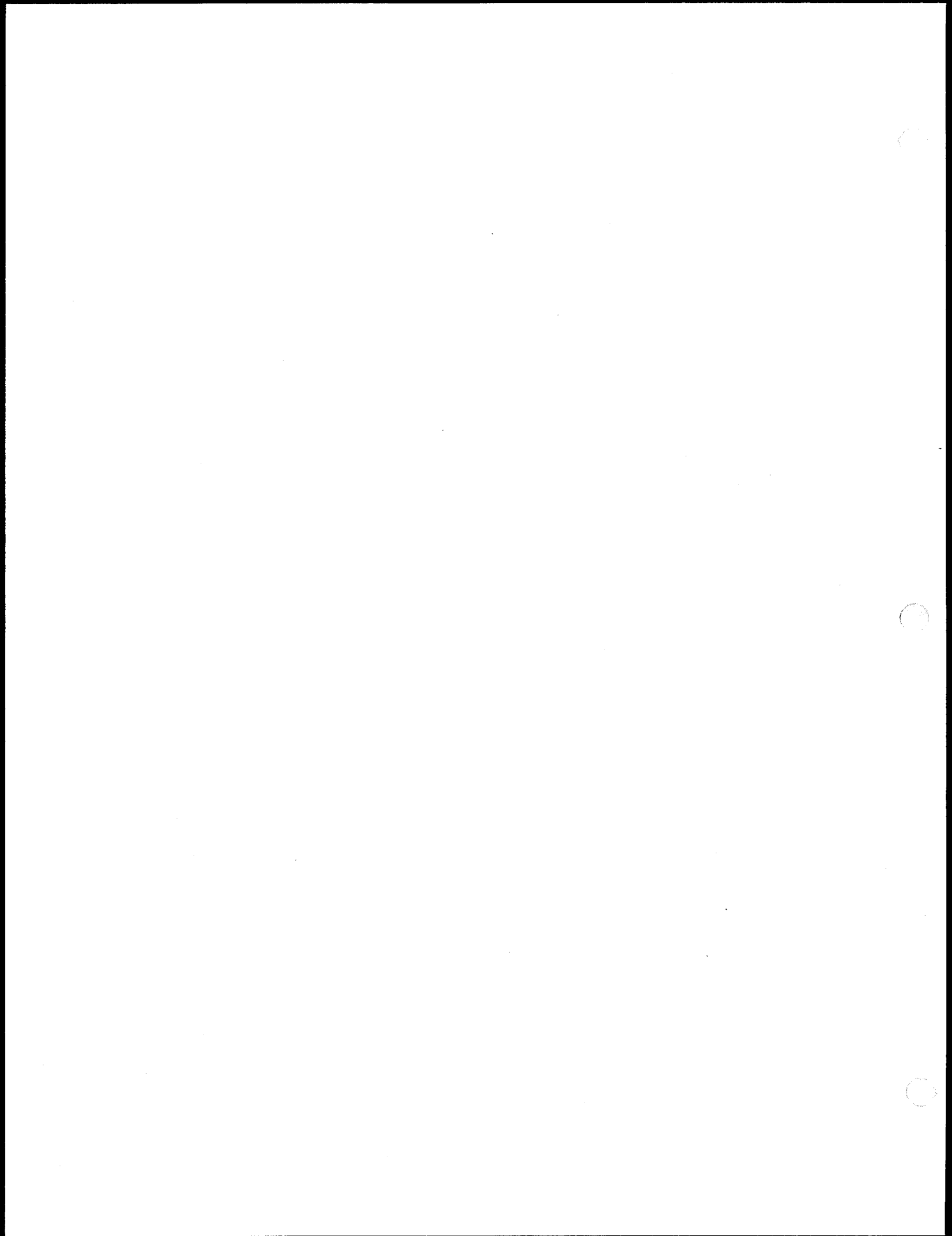
TRANSMASTER

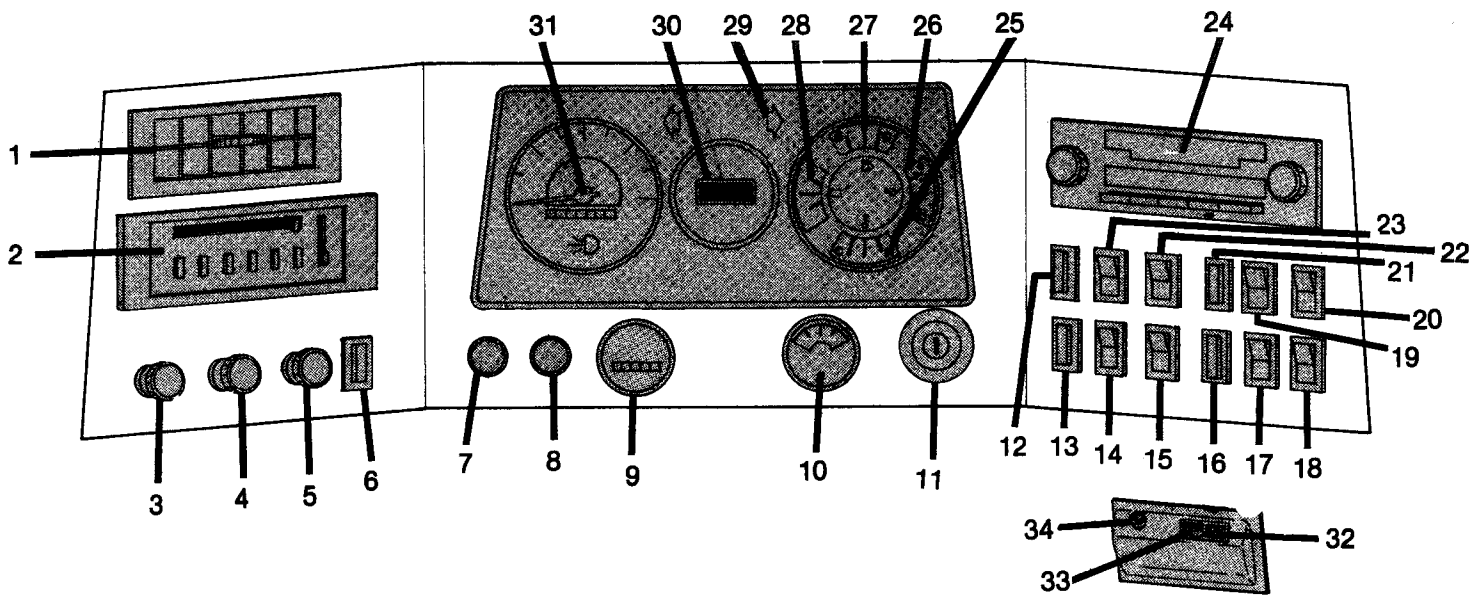


- 1 Water Heater Service
- 2 Fresh Water Tank Drain
- 3 City Water Connection
- 4 Refrigerator Service
- 5 LP Tank
- 6 Refrigerator Vent
- 7 Side Trunk
- 8 Tire
- 9 Front Running Lights
- 10 Headlights
- 11 Turn Signal & Emergency Flasher
- 12 Front Engine Service
- 13 Roof Air Cond. (opt.)
- 14 License Plate & Light
- 15 Tail, Stop, Turn, Backup & Flasher
- 16 Rear Running Lights
- 17 Aux. Battery Storage Compartment
- 18 Generator Compartment
- 19 Furnace Vent
- 20 115 Volt AC Power Cord
- 21 Gas Tank Fill
- 22 Holding Tank



TYPICAL MOTOR HOME LAYOUT





- 1 Dash Air Vent
- 2 Heater/Air Cond. Control
- 3 Lights
- 4 Wiper
- 5 Wiper/Wash
- 6 Light
- 7 Lighter
- 8 Rear Heater (Opt.)
- 9 Engine Hour
- 10 L.P. Gas
- 11 Ignition
- 12 Light
- 13 Light
- 14 (Aux Gas)
- 15 Horn
- 16 Light
- 17 Courtesy Lights

- 18 Fan
- 19 Map Light
- 20 Gen. Start
- 21 Light
- 22 Fog Light
- 23 ICC Marker/Flasher
- 24 Radio Sound System
- 25 Engine Temp.
- 26 Oil Pressure
- 27 Gas
- 28 Battery
- 29 Turn Signal Indicator
- 30 Brake Light
- 31 Speedometer
- 32 Water in Fuel (Diesel Chassis Only)
- 33 Glow Plug (Diesel Chassis Only)
- 34 Low Coolant (Diesel Chassis Only)

FIGURE 2 — TYPICAL INSTRUMENT PANEL AND CONTROLS — CLASS "A"
SEE OWNERS MANUAL

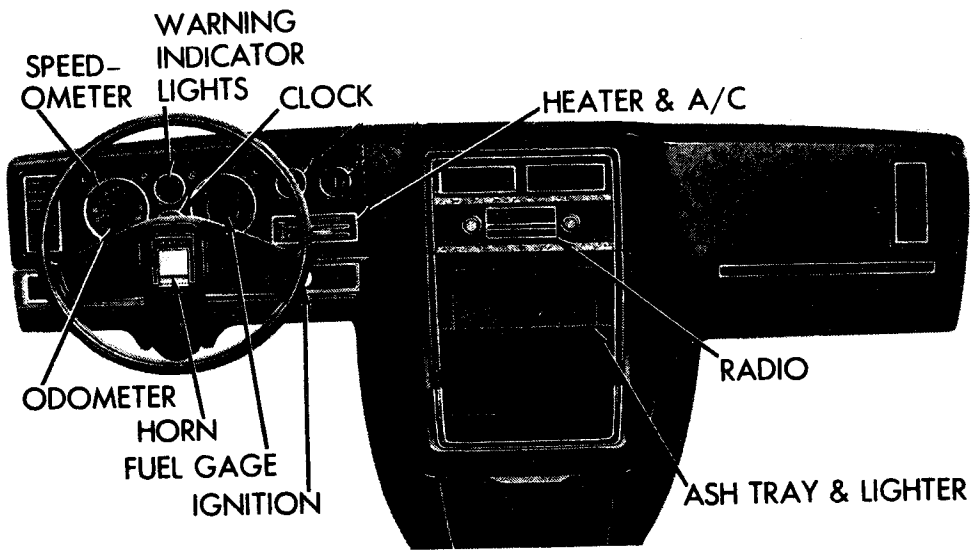
- Fill the liquidpetroleum gas (LPG) fuel tank(s) if required.
- Check for spare fuses of every size used in the vehicle.

Take the time before leaving to become familiar with the location and operation of the instrument control panel and other items in the driver compartment. Check all instruments to verify that equipment is working. Dash instrument controls (see Figure 2) include: two-speed wiper control, windshield washer, lighter, fuel switch-over valve (optional), three-speed heater/defroster blower control, heat level control, fresh air control, defroster control, and the under-dash air conditioner blower/temperature controls (optional). Also located on the dash is the sound

system. The cruise control (optional) is located on the turn indicator handle. The emergency flasher control is located on the right side of the steering column. Refer to the Chassis Operator's Manual or individual instructions from equipment manufacturers for operation of equipment, both standard and optional.

It is recommended that the Chassis Operator's Manual (provided in your Owner's Information Kit) be kept readily available in the glove compartment. This will prove invaluable as reference information.

— DRIVE SAFELY —



TYPICAL CLASS C — DASH LAYOUT
See Owners Chassis Manual for More Detail
(Figure 2)

VEHICLE LOAD CAPACITY – WEIGHING

Your mini home is designed to carry the loads defined by the Gross Axle Weight Rating (GAWR) and Gross Vehicle Weight Rating (GVWR) shown on the certification tag posted on driver's door post. These ratings are for a fully-loaded vehicle including passengers and normal belongings.

NOTE: Exceeding the GAWR or GVWR of your mini home can cause undesirable handling characteristics and may even create a safety hazard. Modification of your vehicle by addition of racks not specified by the manufacturer to carry additional equipment or vehicles is not recommended and may make your warranty inapplicable.

Periodically weigh the mini home at a public scale to determine axle loads. The following procedure is suggested, although any method recommended by the scale operator which correctly determines weight values is acceptable. During all measurements, it is important that the vehicle be kept as level as possible.

1. Run only the front wheels onto the scale platform and obtain a reading. (This first value is the front axle Gross Axle Weight.)

2. Next, place the entire vehicle (both axles) on the scale and obtain a reading. (This second value is Gross Vehicle Weight.)
3. Drive forward until only the rear axle is on the platform and obtain a reading. (This third reading is rear axle Gross Axle Weight.)
4. Compare reading 2 with the GVWR of your vehicle. If this reading exceeds the GVWR rating, it will be necessary to reduce total vehicle load.
5. If reading 2 is less than the GVWR of your vehicle, check readings 1 and 3 to verify that each is less than the GAWR on the certification tag. If either exceeds the GAWR for the axle, redistribute enough equipment from front to back or the reverse to ensure that loads on front and rear axles are within the required limit.

Check vehicle weight periodically to obtain optimum mileage from tires and improved handling. Tires should always be inflated as recommended in the Chassis Manufacturer's Instructions. See your Chassis Operator's Manual.

READY TO LEAVE

The following suggestions may be helpful when you are ready to leave. (BE SURE TO PLACE THE ENTRY STEP IN TRAVEL POSITION.)

STARTING AND WARMUP

For best results, always follow the recommendations in your Chassis Operator's Manual when starting or operating your engine.

NOTE: Be sure transmission is in neutral and parking brake is engaged to keep the mini home from rolling. If the parking brake needs adjustment, see the Chassis Operator's Manual for proper adjustment instructions.

SAFETY BELTS

Seat Belts are an important safety feature of your vehicle. For your protection, it is required that all belts be fastened while your mini home is in motion. The driver's seat and all other seats designed to carry passengers, while under way, have been equipped with a total of five or six safety belts, depending on model.

NOTE: Seats which are not equipped with safety belts should not be occupied while vehicle is in motion and will be labeled: "NOT FOR USE WHILE VEHICLE IS IN MOTION."

Safety belts are adjusted in the following manner: To lengthen the belt, tip the buckle at right angles

to the belt, as shown in Figure 3. Holding the buckle in this position permits the belt to slide through. Pull on the buckle until the desired length is obtained. To fasten the belts, make sure the belts are not twisted, then push the tongue end of one belt into the buckle of the mating belt. Be sure it goes in all the way and that it latches. Tighten by pulling the loose end of the belt while holding the buckle. Adjust the belt as low on the abdomen and as snug as comfort will allow for greatest safety. Never use a belt for more than one person at a time.

NOTE: If your belts have been equipped with retractors, be sure belt is pulled all the way out of retractor.

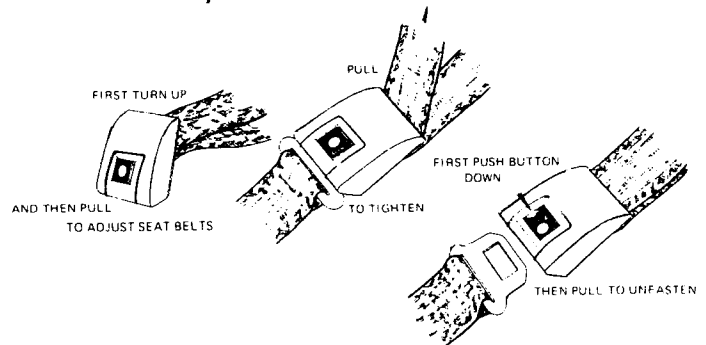


FIGURE 3 – SAFETY BELT ADJUSTMENT

ON THE ROAD

DRIVING AND PARKING

Driving the motor home is comparable to driving your family car, once you become accustomed to the feel of the controls and to the reference points from the driver's seat relating to the position of the motor home traffic. Be cautious when maneuvering to allow for the length and width of the vehicle. Always allow extra room in cornering and when changing lanes. Check the side mirrors often. Learn to use the view of the roadway behind, as seen through the side mirrors, as a reference to help keep a good road/lane position.

Drive with consideration on the highway, observing all applicable speed and safety regulations. The best driving speed for your motor home will vary with road and weather conditions. Remember that the higher speeds may result in a sharp increase in fuel consumption.

Driving on winding or mountain roads is not difficult if done with reasonable care. Observe proper vehicle speeds when ascending or descending hills and always operate in the proper transmission range. Downshift on hills to avoid overheating or undue engine loads by using the hand control as recommended by the Chassis Operator's Manual.

Allow for the extra height of your coach and avoid areas having low overhead clearance. Check for low-hanging tree branches or other obstructions whenever you drive or park. Avoid low roofs when pulling in for service. This may be particularly important if you drive with the overhead vents open or if the coach is equipped with a roof air conditioner or a roof rack.

When parking parallel, be sure to allow for poles or obstructions near the curb, as front and rear portions of the motor home swing wider than an automobile. When parking on an incline, it is recommended that the front wheels always be turned into the curb in the direction of roll to aid the parking brake.

OVERHEATING

The engine and cooling system on your vehicle should be operated and serviced as recommended in your Chassis Operator's Manual.

WINDSHIELD DEFROST - COMFORT CONTROL

During winter months, it is important to keep the windshield clear and keep the passenger compartment comfortable temperatures while on the road. This can be done by use of the proper combination of heater and defroster controls.

12-VOLT FUSE REPLACEMENT

If part of your vehicle electrical system should fail while on the road, check the replacement circuit fuses located in the automotive circuit. These are automotive-type fuses available at most service stations. Refer to the ELECTRICAL section for information on living area (non-automotive) 12-volt fuses.

CHANGING A TIRE

For tire changing instructions, see Chassis Operator's Manual. Your motor home is equipped with premium-grade truck-type tires. Under normal circumstances and with proper tire maintenance, you should receive thousands of miles of trouble-free service. Before attempting any repairs in the event you do have a flat tire, it should be noted that your fully-loaded motor home is very heavy. As a result, each wheel lug nut is torqued to a factory recommended setting of 480 to 500 foot pounds, making the lug nuts extremely difficult to remove. In addition, each tire and wheel weighs approximately 90 pounds and is difficult to handle. It is therefore advisable that you obtain road service wherever possible and only attempt to change tires yourself under emergency conditions.

WARNING

LOOSENING THE REAR LUG BOLTS MAY RELEASE BOTH OUTSIDE AND INSIDE WHEELS. DO NOT ATTEMPT TO REMOVE LUGS WITHOUT HAVING A JACK IN PROPER POSITION TO ABSORB WEIGHT.

If the flat tire is on one of the inside (rear) dual wheels, the outside wheel on that side will give adequate support and no tire change may be required. Just continue at reduced speeds to a service station for repair.

CAUTION:

DO NOT EXCEED 25 MPH NOR DRIVE FOR LONG DISTANCES AS THIS MAY OVERHEAT THE SINGLE REAR TIRE CAUSING A BLOWOUT.

SERVICING

MOTOR HOME CHASSIS OPERATION'S MANUAL

Refer to your Chassis Operator's Manual for information on chassis service recommendations. As a general practice, you should have the coolant, the battery electrolyte, and the engine oil levels checked each time when refueling.

NOTE: Proper engine servicing and record of servicing may be mandatory to ensure chassis warranty protection. Follow the manufacturer's instructions on periodic maintenance checks.

ENGINE SERVICE

Items serviced from the exterior of the coach are reached through the front access door. This door permits servicing the vehicle batteries, the radiator and coolant system, the engine oil level and oil filler cap and windshield washer. Refer to Figure 4 for location of these items and for door latch information.

Items serviced from inside the coach are reached through the engine compartment cover located between the driver and passenger seats. This gives access to the power steering reservoir, transmission oil dipstick and the air cleaner. When the engine is

being serviced from inside the coach, protect your carpet and furnishings against oil and dirt. Your serviceman will be glad to use a protective cloth if you remind him. (See Owners Manual)

BATTERY SERVICE

Main Vehicle Battery

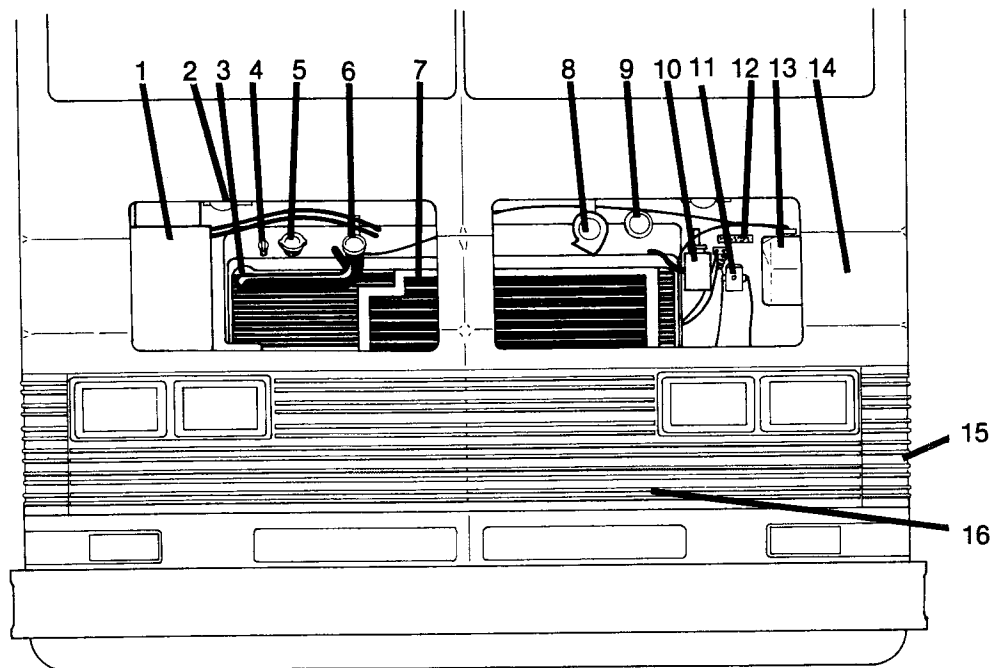
Your motor home has a 12-volt automotive battery located under the front engine access door. Have this battery serviced when fueling or servicing other vehicle systems.

Auxiliary Battery Service

There is an auxiliary 12-volt system to provide living area power requirements. Service this system when fueling or servicing other vehicle systems.

GENERATOR POWER PLANT SYSTEM SERVICE

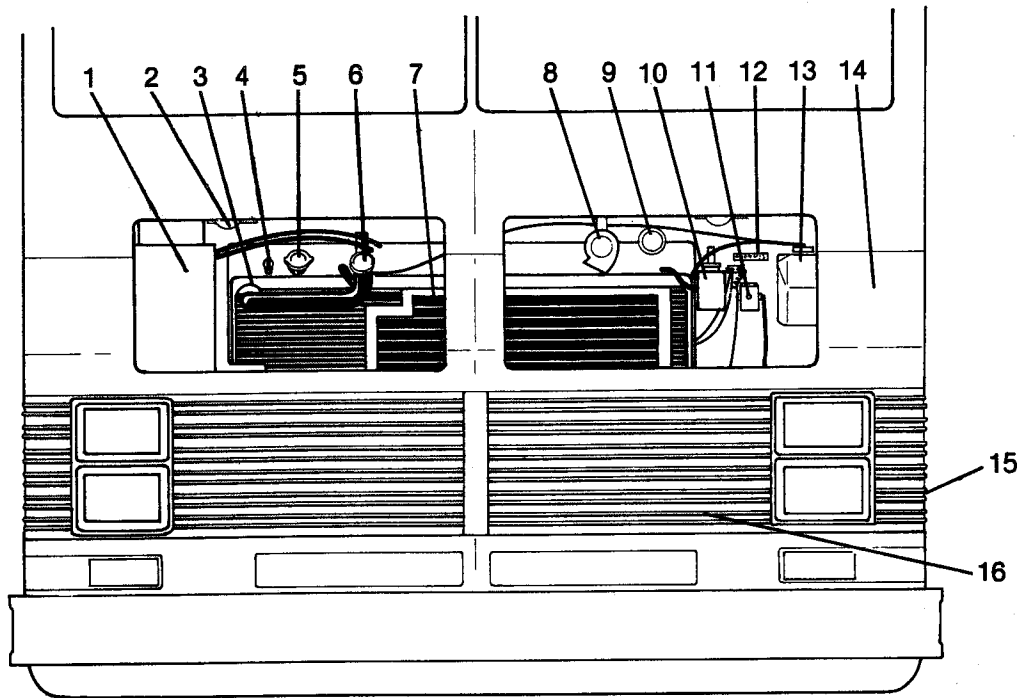
Generator power plant service, recommended by the Generator Manufacturer, should be performed at an authorized service center (listed in the material provided in your Owner's Information Kit). Routine or emergency service, such as adding oil, changing filters or replacing spark plugs, could be accomplished at auto service centers, but must be done in accordance with the service instructions specified by the Generator Manufacturer.



- 1 Auto Heater
- 2 Windshield Wiper Motor
- 3 Engine Radiator
- 4 Oil Dipstick
- 5 Oil Spill Spout and Cap
- 6 Radiator Fill and Cap
- 7 Air Cond. Cooler
- 8 Horn
- 9 Comp. Light

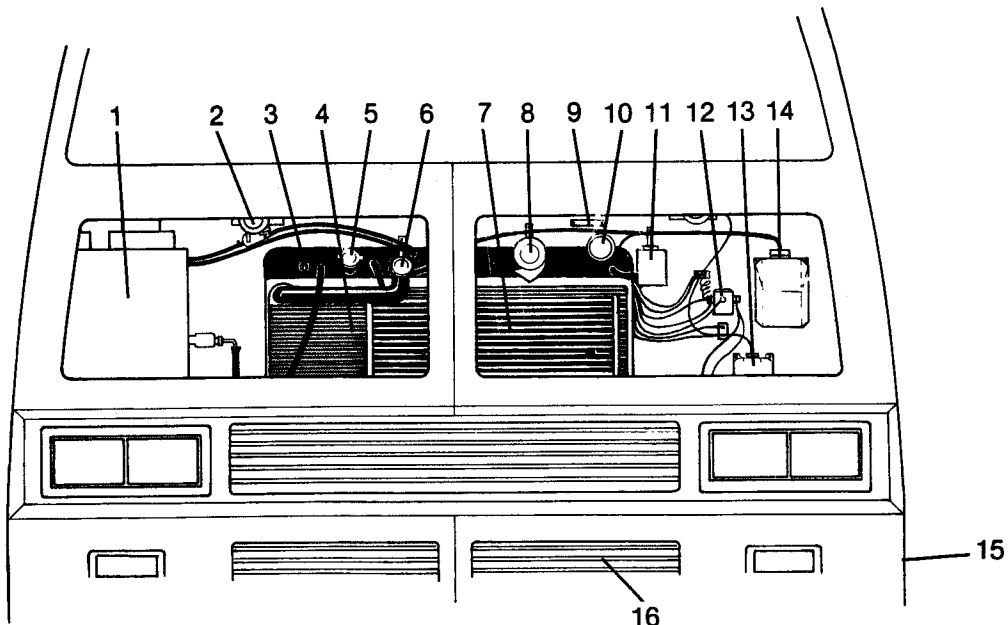
- 10 Power Steering Reservoir
- 11 Isolator
- 12 Vehicle I.D. #
- 13 Radiator Overflow Reser.
- 14 Windshield Washer Reser.
- 15 Brake Cylinder (Coated
Above & Behind Tire)
- 16 Auxiliary & Vehicle Batt.

TYPICAL CRUISE AIR II



- | | | | |
|--------------------------|-----------------------|-----------------------------|-------------------------------|
| 1 Auto Heater | 6 Radiator Fill & Cap | 10 Power Steering Reservoir | 14 Windshield Washer Reser. |
| 2 Windshield Wiper Motor | 7 Air Cond. Cooler | 11 Isolator | 15 Brake Cylinder (Coated |
| 3 Engine Radiator | 8 Horn | 12 Vehicle I.D. # | Above & Behind Tire) |
| 4 Oil Dipstick | 9 Comp. Light | 13 Radiator Overflow Reser. | 16 Auxilliary & Vehicle Batt. |
| 5 Oil Spill Spout & Cap | | | |

TYPICAL EXCALIBOR



- | | | | |
|--------------------------|-----------------------|-----------------------------|-------------------------------|
| 1 Auto Air & Heater | 5 Oil Fill Spout | 10 Comp. Light | 15 Brake Cylinder Reser. |
| 2 Windshield Wiper Motor | 6 Radiator Fill & Cap | 11 Power Steering Fluid | (Coated Above & Behind |
| 3 Oil Dipstick | 7 Air Cond. Cooler | 12 Isolator | Tire) |
| 4 Engine Radiator | 8 Horn | 13 Windshield Washer Reser. | 16 Auxilliary & Vehicle Batt. |
| Oil Cooler & Trans. | 9 Vehicle I.D. # | 14 Radiator Overflow Reser. | |
| Cooler in One | | | |

TYPICAL SWINGER

PLUMBING

FRESH WATER

Fresh water is provided from one of two sources:

1. City water, provided under pressure when the motor home is hooked up to a park or city water supply;
2. Water stored in an on-board water tank with pressure provided by a pump operating automatically from your 12-volt electrical system.

EXTERNAL WATER SUPPLY

When camped in a park or near a city water supply, connect the water supply to the motor home as follows:

1. Turn water pump switch inside the motor home to OFF.
2. Remove protective cap over city water inlet pipe on your motor home.
3. Connect water hose to the motor home inlet and to the city water supply line.
4. Turn city water supply valve to ON.
5. Let the water run a few minutes with your supply line attached to clean the lines.

CAUTION

BOTH THE ON-BOARD PUMP AND ON-BOARD FRESH WATER TANK ARE NOW ISOLATED FROM THE WATER PRESSURE IN THE SYSTEM. DO NOT TURN PUMP ON UNTIL PRESSURE LINE IS DISCONNECTED TO AVOID DAMAGING THE PUMP.

Use the following procedure to disconnect the city water supply:

1. Turn the city water supply valve to the CLOSED position.
2. Disconnect the water supply hose from the motor home inlet connection and replace inlet pipe protection cap. If the on-board tank is to be filled, go to next step. If not, store the supply hose in available compartment.

CAUTION

UNLESS YOU HAVE A PRESSURE REGULATOR IN THE SYSTEM, IT MAY BE NECESSARY TO TURN WATER SUPPLY DOWN (OR OFF) AT NIGHT TO AVOID DAMAGE TO WATER SYSTEMS IN SOME

CAMPGROUNDS HAVING UNUSUALLY HIGH WATER PRESSURE AT NIGHT.

3. Fill on-board fresh water tank from city water source if needed, then remove hose and store in available compartment.

FILLING FRESH WATER SUPPLY

The on-board fresh water supply in your motor home provides fresh water automatically to all systems whenever a faucet is opened. Pressure is provided by a 12-volt DC automatic self-priming pump which functions any time power is available and the pump switch near the sinkbase is ON.

CAUTION

DO NOT RUN THE PUMP WITHOUT WATER IN THE SYSTEM. ALWAYS KEEP THE SWITCH OFF WHEN THE WATER SYSTEM IS EMPTY OF WATER OR WHEN CONNECTED TO CITY WATER. RUNNING THE PUMP WHEN DRY CAN DAMAGE IT AND MAY MAKE THE WARRANTY INAPPLICABLE.

Your on board water storage tank is filled through a special filler cap outside the vehicle. To fill the fresh water tank, proceed as follows:

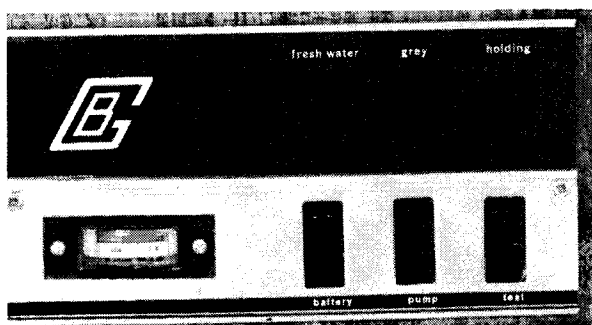
1. Turn water pump switch to OFF.
2. Connect water hose to connection marked fresh water.
3. Fill the water tank.
4. Turn pump ON. Water pressure system is now activated. Turning on any faucet will result in water flow.
5. With pump ON, open all HOT and COLD water valves to remove trapped air and to fill the hot-water heater, then refill the fresh water tank.
6. During normal operation, the water pump will cycle on and off as the pressure varies.

It is a good practice to avoid leaving water in the tank when not in use.

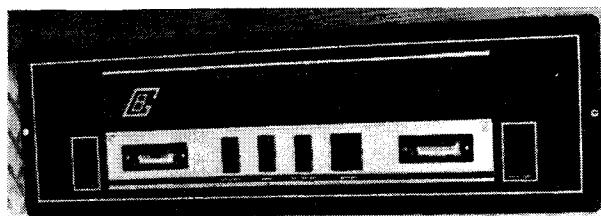
WARNING

USE ONLY POTABLE (DRINKING QUALITY) WATER IN THE TANK. TO ENSURE CLEAR, FRESH WATER, DRAIN TANK AFTER USING. FLUSH AND DRAIN BEFORE EACH USE AND SANITIZE IF SYSTEM SEEMS TO GIVE WATER A TASTE. SEE DIRECTIONS FOR SANITIZING THIS SYSTEM.

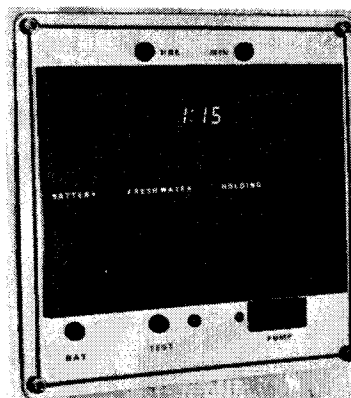
SYSTEMS CONTROL



Excellbor Cruise Air Cruise Master



Swinger



Trans Master

CAUTION

WHEN IN CLIMATES WHERE FREEZING TEMPERATURES MIGHT OCCUR, BE SURE THAT ALL WATER SYSTEM COMPONENTS, INCLUDING THE STORAGE TANK ARE DRAINED OR PROTECTED BY A SPECIAL TYPE OF NONFREEZING ADDITIVE IF THE VEHICLE IS TO BE LEFT UNEATED. (Refer to paragraph on "Winterizing the Water System.")

TROUBLESHOOTING WATER SYSTEM

During normal use, your pump should operate automatically (if power is provided and the pump switch ON) whenever a faucet is turned on. Should your on-board water supply fail to function when a faucet is opened, check to see that the pump switch is ON. If the switch is ON, check the fuse. If no pressure is available, although the pump switch is ON, power is available, and the pump fuse is intact, refer to the information provided by your water pump manufacturer for instructions.

If the water pump continues to operate when no water is being used, there may be a leak in the system or in a faucet. If no leak is found and the pump continues to operate, refer to the information provided by the water pump manufacturer for additional checks.

SANITIZING WATER TANK

It is suggested that your fresh water tank be renewed periodically using a chlorine solution followed by clear water rinses.

1. Prepare a chlorine solution by adding 1/4 cup of liquid household chlorine-base bleach solution to one gallon of potable (drinking quality) water.
2. Add at the rate of one gallon of this solution to the empty supply tank for each 15 gallons of tank capacity.
3. Fill balance of tank with potable water.
4. With pump ON, open each faucet long enough for water to run out, to remove all air from system and lines.
5. Allow the system (now filled with chlorine solution) to stand for at least three hours. Before performing the following step, provisions should be made to allow for drainage of all water from the fresh water tank.
6. Flush the piping by running water through faucets for at least one minute each.
7. Turn pump OFF.
8. Drain tank and pipes by opening tank drain valve. Open each faucet to permit water to drain from each pipe.

9. When the tank is empty and each faucet has been opened, drained and closed, close the drain valve.
10. Fill system with clear fresh water.
11. Repeat steps 6 through 9.
12. Partly fill the system with fresh water and check the tank and system for taste and odor. If a chlorine taste or other traces of impurity remain, accomplish step 13. If the system is clear, go to step 14.
13. Prepare a solution of 1-quart vinegar in five gallons of water and place in tank. Fill the system completely. Agitate this solution by vehicle motion, then repeat steps 4 and 5.
14. Repeat steps 6 through 9 to empty the system.
15. If the system is to be used, fill with fresh water. If not, the system is ready for storage.

WASTE-WATER SYSTEM

Your Motor Home has a self-contained "Double Holding Tank" drainage system in which body wastes enter (1) tank and shower, lavatory, and sink enter the other tank. Waste water system in Transmaster are single holding tanks. (Except in Transmaster where you have one holding tank for both.) These tanks are to be emptied at a disposal station only. You may use either system while in transit with the drainage cap securely in place.

The holding tank should be evacuated only at intervals since the dumping action is more effective in removing solids when the tank is relatively full. **DO NOT PULL THE HOLDING TANK KNIFE VALVE OPEN WHEN THE PROTECTIVE CAP IS IN THE SECURED POSITION.** Always assure that the tank is evacuated into an acceptable sewer inlet or dump station. To evacuate wastes from the holding tank, proceed as follows:

1. Remove the plastic sewer hose from the capped storage tube (see Figure 1). The hose has been compressed for storage but will extend as needed. Plastic sewer hose is not furnished by the manufacturer.
2. Place sewer line over the termination fitting and secure by tightening the "C" type clamp (see Figure 7).

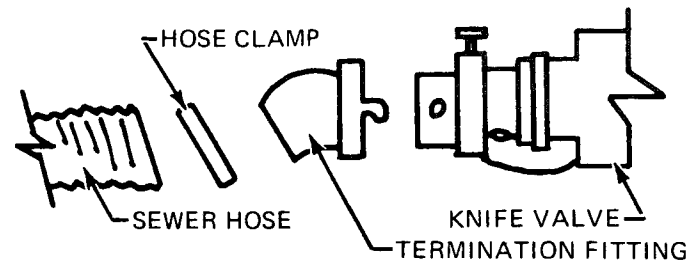


FIGURE 7 – TERMINATION FITTING INSTALLATION

3. Place a container under the drain outlet to catch any water in the drain if required, then remove the protective cap from the drain outlet by turning it firmly counterclockwise (see Figure 8).
4. Place the plastic termination fitting over the motor home drain outlet and secure by turning firmly clockwise, being careful that the clips catch firmly to hold the line in place.
5. Insert the ground end of the sewer line into a ground sewer or dump station outlet, pressing it firmly far enough into the opening to be secure. In some cases, adapters may be required between the line and the inlet. Arrange sewer line between motor home outlet and dump station so that it is free from dips.
6. Unlatch body waste holding tank knife valve by removing wire clip or unscrewing lock screw. Grasp the handle firmly and slide the valve open with a quick steady pull.
7. Allow sufficient time for the tank to be completely drained. Rinse and flush tank if necessary, or if the vehicle is to be stored. When tank is empty, push handle inward to close valve. Reset retaining clip or replace cap. Repeat Steps 6 & 7 for Grev water tank.
3. Remove the sewer hose by turning termination fitting counterclockwise.
9. Rinse out sewer hose with a separate fresh water hose or supply, then remove line from ground inlet.
10. Stow sewer line and fitting and replace sewer or dump station cover if applicable.

PLEASE USE GOOD HOUSEKEEPING WHEN DRAINING WASTES AT A CAMPSITE OR DISPOSAL STATION. LEAVE THE SITE IN GOOD ORDER. ABOVE ALL, AVOID POLLUTION OF LAKES AND STREAMS.

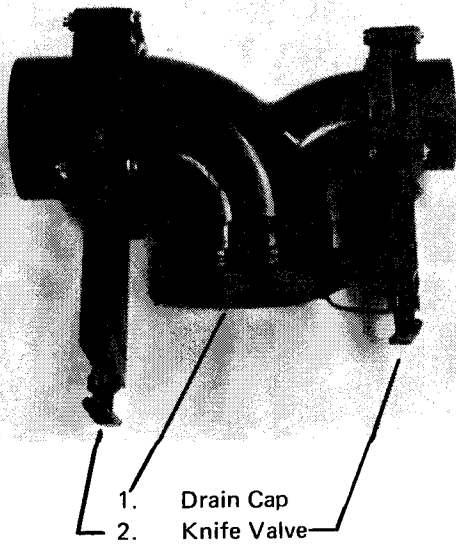


FIGURE 8 – TYPICAL WASTE WATER SYSTEM DRAIN WITH DUAL TANKS

WINTERIZING THE WATER SYSTEM

If the motor home is to be stored in temperatures below freezing, the fresh water and waste systems would both be winterized as follows:

1. Drain fresh water tank by opening water tank drain spigot mounted through the wall.
2. Turn pump ON. Open a cold water faucet. When flow of water has stopped, turn pump OFF.
3. Open the drain caps on HOT and COLD water pipes. (These are located under the lavatory area. On rear-bath models, the caps are located above the floor in the lavatory cabinet.) After all water has been drained from the water pipes, close caps.
4. Drain water heater by opening drain plug at bottom of heater and safety valve. Also, open the hot water faucets.
5. Drain waste water system by following normal procedure for emptying holding tank (refer to paragraph on Waste Water Draining).
6. Place a minimum of 1-1/2 gallons of approved non-toxic antifreeze solution for plastic piping, drains, and traps in water tank. Open all cold water faucets, turn water pump ON, and operate

until the tank has emptied solution into the system.

7. Pour one-half cup of this solution into each drain to ensure that traps are protected.

Have automotive radiator solution tested to ensure that vehicle is well protected to any anticipated freezing level, as recommended in Chassis Operator's Manual.

The above is a basic procedure designed to be performed by the Motor Home Owner. In areas of extreme cold, extra freeze protection can be obtained by scheduling a motor home dealer to perform this winterization for you. He has specialized equipment that will enable him to blow the water and drain lines clear.

DO'S AND DON'TS – WASTE TANKS

- | | |
|-------|--|
| DO | keep your holding tank clean using any cleaner approved for recreational vehicle sanitation systems. |
| DO | add a special deodorizer or chemical additive approved for recreational vehicle systems to sanitize and improve the tank action. |
| DO | guard against freeze-up. |
| DO | keep your tank knife valve closed, permitting the tank to get as full as convenient before emptying. |
| DO | keep tank knife valve and the drain cap tightly in place when traveling to permit use of the system when on the road. |
| DO | use any soft (single-ply) toilet tissue. |
| DO | open the bath vent to keep bathroom fresh. |
| DON'T | put facial tissues, paper, alcohol type anti-freeze, sanitary napkins, or household toilet cleaners in your holding tank. |
| DON'T | put anything solid in your holding tank which can scratch or damage the plastic. |

ELECTRICAL

Your motor home has two electrical systems. One provides 115-volt power to operate all 115-volt living area recepts and appliances. This system is used when power is available from a ground power source or from an on-board generator power plant, if one is installed. The second system uses on-board batteries or a 12-volt converter to provide power for all 12-volt lighting, appliances, and accessories as well as normal vehicle needs (see Figure 11).

115-VOLT SYSTEM POWER CONVERTER

A 25-foot, heavy-duty, power-supply cord is provided in a storage compartment (see Figure 10). This cord is pulled out and connected to any adequate 115-volt power source to activate all power circuits. The connector is rated for 30-amp capacity. Use this power plug only with the proper mating connector and only with facilities having a 30-amp capacity. Such facilities are available in most parks and campsites.

CAUTION

USING YOUR POWER CORD WITH POWER SUPPLIES WHICH HAVE LESS THAN 30-AMP CAPACITY OR USING THE PLUG WITH RECEPTACLES FOR WHICH IT WAS NOT DESIGNED, MAY DAMAGE YOUR APPLIANCES AND MAKE THE WARRANTY INAPPLICABLE.

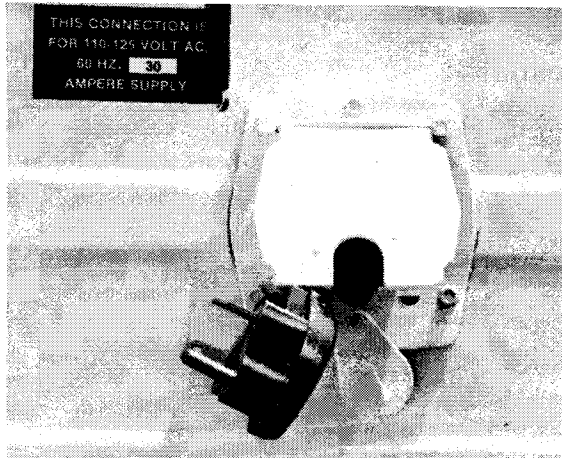


FIGURE 10 – 25-FT. ELECTRIC POWER CORD (Outside)

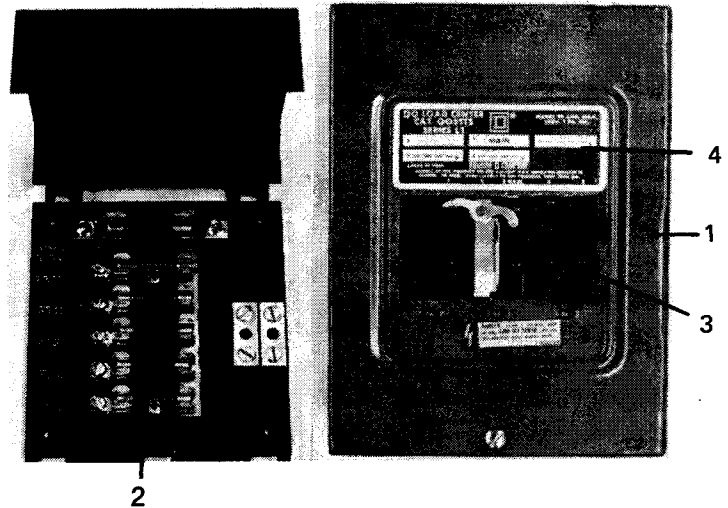
12-VOLT SYSTEM

When the power supply cord is not connected to a 115-volt ground source (or the generator power plant is not switched into the circuit), power for lights and appliances is automatically provided from your vehicle battery or from an auxiliary battery (if installed).

12-VOLT FUSES

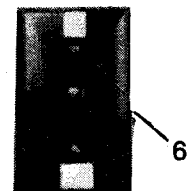
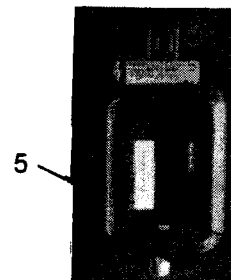
The fuses for the 12-volt electrical system are located for easy access (see Figure 11). Certain models using the optional 12-volt refrigerator may also have a fuse in the line supplying power to the appliance. Fuses for the mini home chassis circuit are located on a

panel under the dash beside the steering column and Class "A" motor home fuse panel is located under front engine service door (see Figure 4 and Figure 2).
NOTE: If fuse replacement is necessary, replace with fuses of the same amperage.



2
LIVING-AREA 12-VOLT FUSE PANEL

115-VOLT AC CIRCUIT BREAKER SWITCHES



(See Electrical Diagram for Additional Fuse Information)

1. Distribution panel.
2. Automotive type fuses.
3. 115 volt reset-type circuit breaker.
4. Circuit identification.
5. Rear roof A/C breaker.
6. Microwave/front roof A/C transfer switch.

FIGURE 11 – TYPICAL ELECTRICAL CIRCUIT BREAKERS

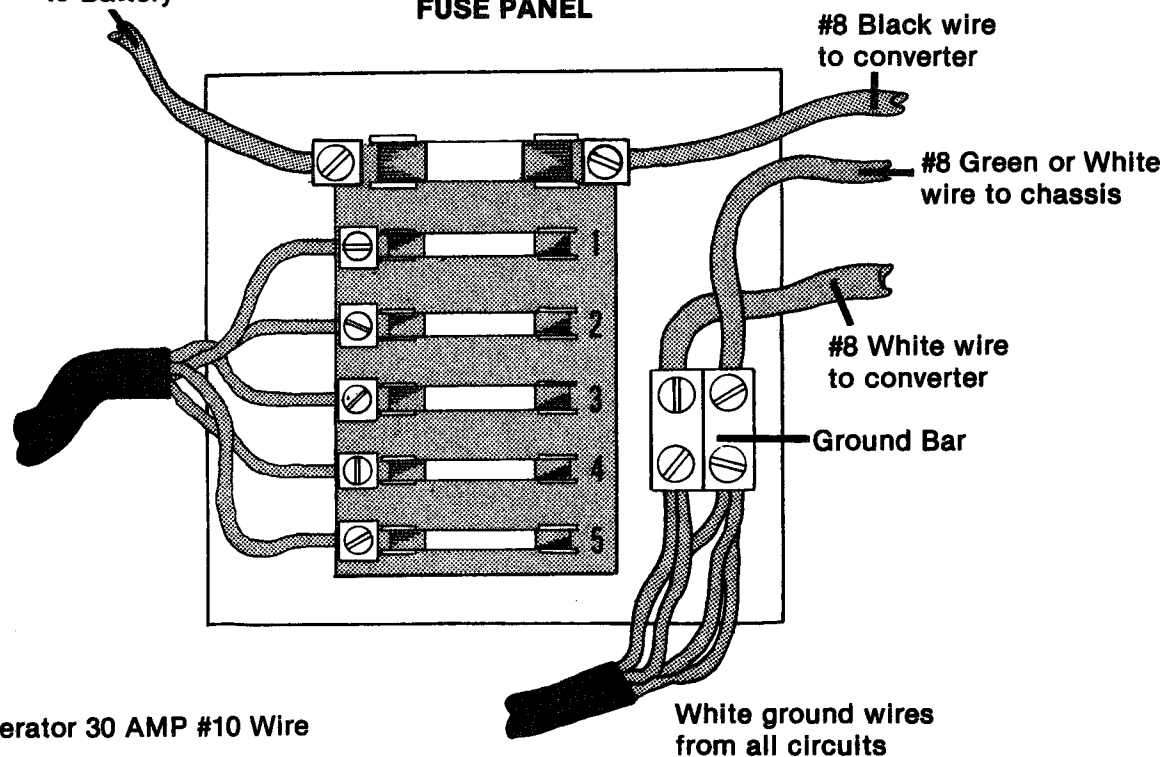
1 - 12V. @ 70A or 2 - 6V. @ 240A AUXILIARY 12-VOLT BATTERY(S) (Optional)

The motor home is equipped with an auxiliary 12-volt battery. It will be installed in the location shown in Figure 1 and Figure 4. The auxiliary battery is the primary source for normal living-area power needs. Sensing and switching circuits permit the vehicle alternator to charge both batteries as required and prevent the living area 12-volt requirements from depleting the vehicle battery.

NOTE: All radio and tape decks draw from the vehicle battery and extended usage may deplete it.

#8 Black wire to Battery

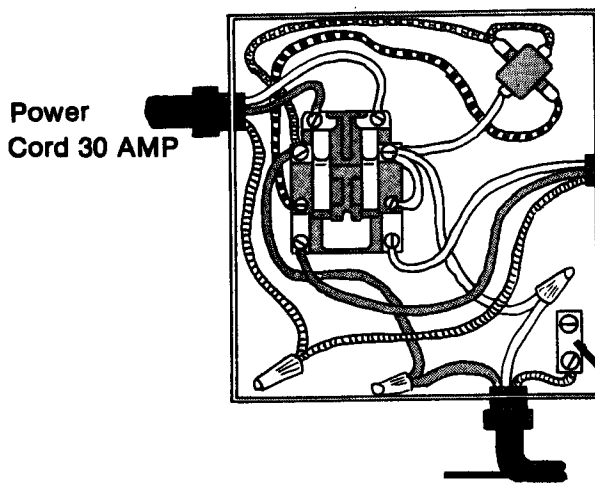
POWER CONVERT FUSE PANEL



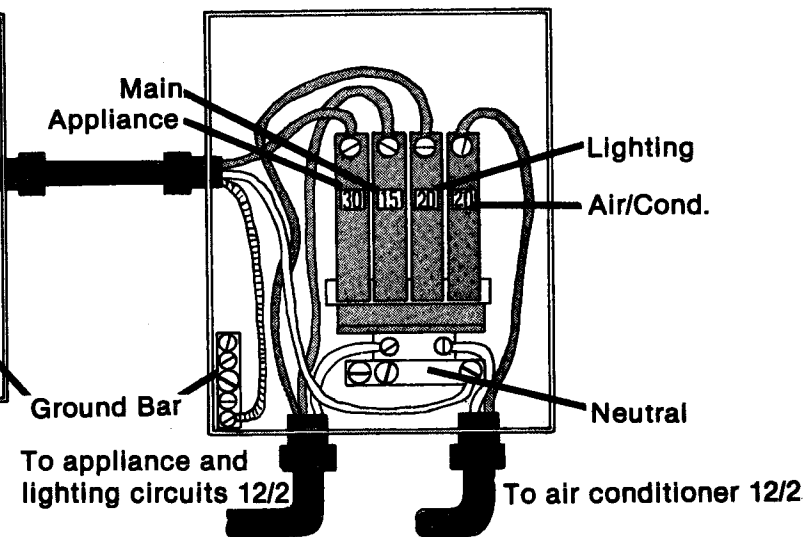
- 1 - Refrigerator 30 AMP #10 Wire
- 2 - Right lights & furnace 20 AMP #12 Wire
- 3 - Left lights 20 AMP #12 Wire
- 4 - Monitor panel 20 AMP #12 Wire
- 5 - Water pump 10 AMP #12 Wire

(NOTE: Used on Excalibur, Cruise Air Mini, Cruise Air II, Swinger & Cruise Master)

TRANSFER BOX



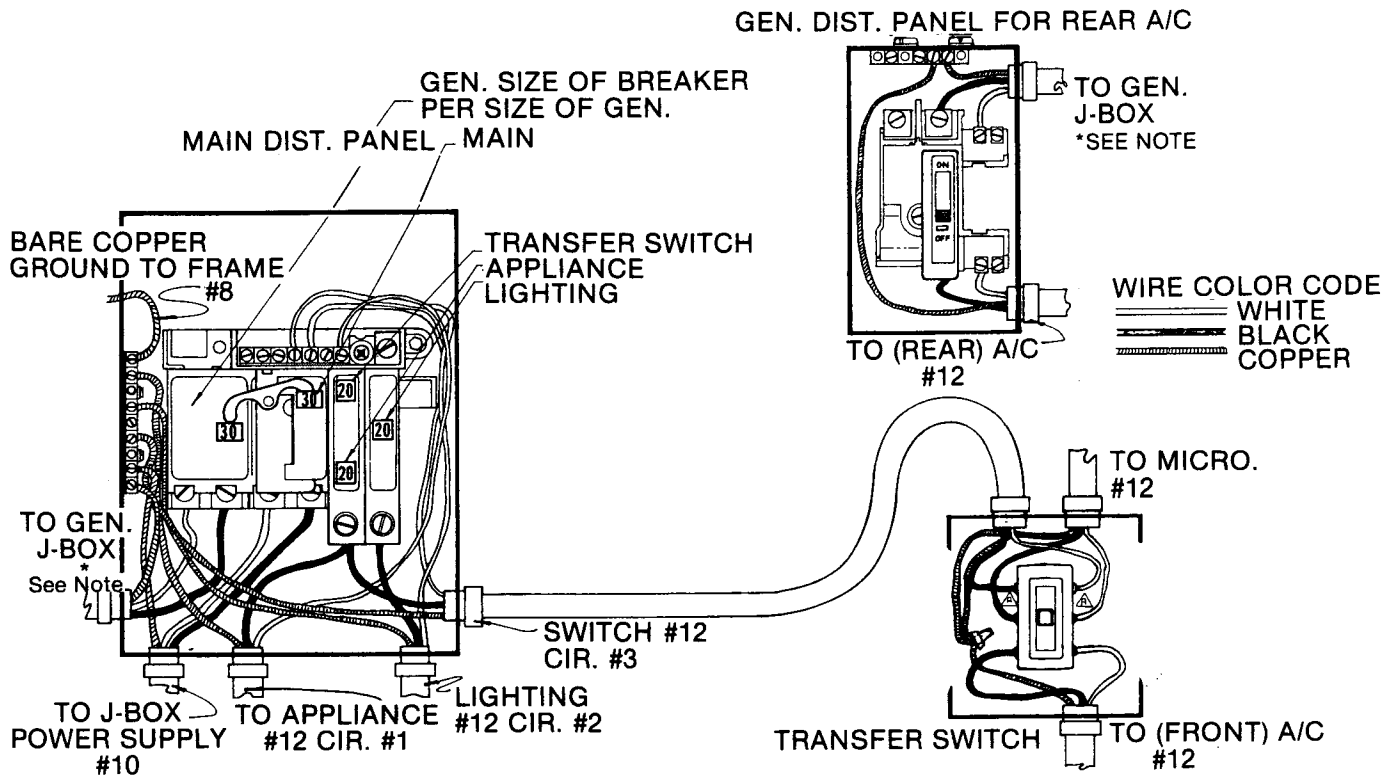
BREAKER BOX



Color Code

- White
- Black
- Red
- Green
- Brown

TransMaster Only



(NOTE: Used on Excalibor, Cruise Air Mini, Cruise Air II, Swinger & Cruise Master)

AUXILIARY GENERATOR POWER PLANT (Optional)

The engine-driven 115-volt generator power plant (if installed) is located in a special compartment (see Figure 1). This generator option has a self-starting system which includes the auxiliary battery. Controls are at the generator and at a remote control panel located inside the motor home. Refer to Figure 12 for the generator power system and auxiliary control panel.

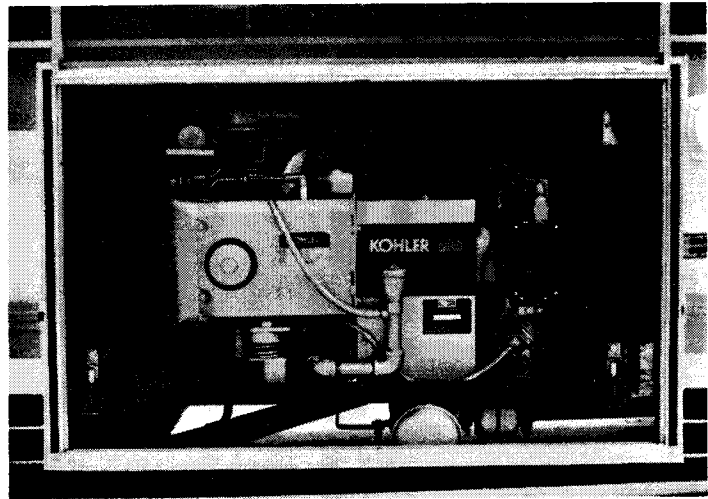
The 115-volt output of the generator is provided directly to the main circuit breaker panel which contains the transfer breakers. With the generator power plant operating and the generator breakers in the ON position, power is conducted through the circuit breaker panel to supply all of the 115-volt power requirements of the motor home, just as if the cord were connected to an external power source with the cord breakers in the ON position.

Fuel for the generator is taken from the main fuel tank through a special feeder tube which is higher in the tank than the feeder tube to the motor home engine. This is to prevent immobilizing the motor home by accidentally permitting the generator to run the fuel tank dry.

NOTE Refer to the Generator Power Plant Manufacturer's Instruction Manual (provided in your Owner's Information Kit) for service information before starting the generator. Do not start unit with a heavy power load. Always wait at least three minutes after starting generator before turning on (or plugging in) heavy electrical loads. (Example: When optional roof air conditioner is installed.)

To start the generator, hold the switch in the START position until the unit starts, DO NOT hold the switch in the START position for more than 10 seconds. Release the switch, wait 15 seconds, then repeat. This will help avoid overheating the generator starting motor and may prevent damage to the starting system. If this system fails to start, the generator manual starting instructions are indicated in the General Power Plant Manufacturer's Instructions. To stop the unit, hold switch to the STOP position until the engine stops operating. Be sure switch does not stick and returns to neutral position.

A clock/meter is optional on the control panel located inside the motor home. This meter indicates the hours of running time on the generator. Operating hours information is important in scheduling proper service maintenance for the generator.



TYPICAL KOHLER POWER PLANT

FIGURE 12 — GENERATOR POWER PLANT
ENGINE SERVICE AREA (Optional)

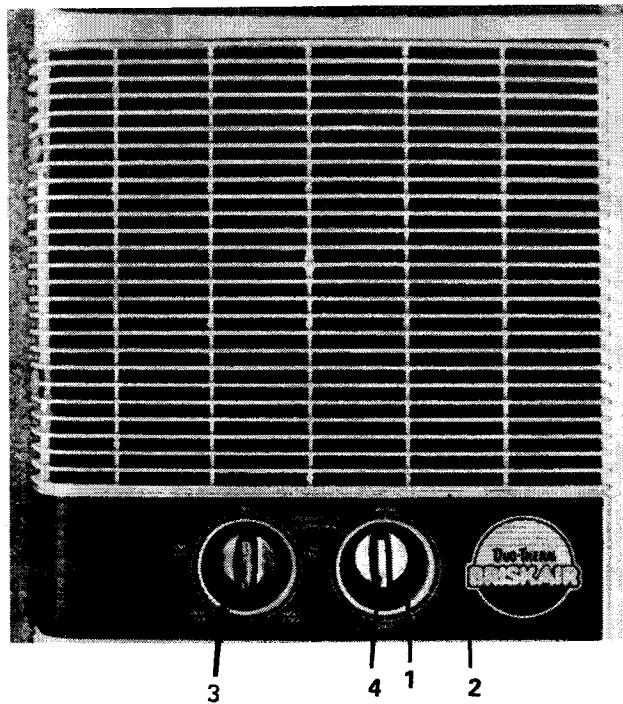
ROOF AIR CONDITIONER (Optional)

Your motor home may have one or two air conditioners installed on the roof (see Figure 13) which use 115-volt power from the generator power plant or from the external power source, depending on system design. When two roof air conditioners are installed both cannot be used unless the generator is used. The air conditioner has three controls on the lower panel of the air conditioner, as shown in Figure 13. These are a blower switch, a thermostat, and an airflow direction control. A removable filter is located on the air conditioner panel inside the vehicle. For best results, carefully follow all instructions provided by the air conditioner manufacturer with regard to operation and maintenance.

CAUTION

IF THE AIR CONDITIONER IS SWITCHED OFF FOR ANY REASON, WAIT A FEW MINUTES BEFORE STARTING IT AGAIN TO AVOID OVERLOADING CIRCUIT BREAKERS. SEE THE MANUFACTURER'S INSTRUCTIONS. WHEN AIR CONDITIONER IS NOT BEING USED, ALWAYS KEEP CONTROLS IN DEACTIVATED POSITION (WARM OFF) TO REDUCE UNNECESSARY CIRCULATION OF REFRIGERANT.

Keep air filter screen clean and working properly, especially in dusty or dry areas.



1. Directional Louver Control
2. Removable Air Filter (under grill)
3. Blower Switch
4. Thermostat

FIGURE 13 — TYPICAL ROOF AIR CONDITIONER (Optional)

STANDARD AUTOMOTIVE AIR CONDITIONER (Optional)

For specific instructions, refer to the information provided by the air conditioner manufacturer.

CAUTION

THE AUTOMOTIVE AIR CONDITIONER PLACES AN ADDITIONAL LOAD ON THE VEHICLE'S COOLING SYSTEM. IF ENGINE RUNS ABNORMALLY HOT, SHUT OFF AIR CONDITIONER UNTIL ENGINE COOLS DOWN.

115-VOLT AC 12-VOLT DC CONVERTER

A voltage converter is installed in your electrical system to supply 12-volt system requirements when the motor home is operating on 115-volt AC power.

When 115-volt are supplied from either an external power supply or the optional Auxiliary Power Generator, the converter will switch the load from the batteries to the converter.

A battery charger is installed with the converter, and 12-volt power requirements will be supplied automatically whenever 115-volt power is available to the converter and no switching is required. Auxiliary batteries will be brought up to full charge and maintained by the battery charger as long as 115-volt power is available.

LIQUID PETROLEUM GAS SYSTEM

CAUTION

GAS CHECK IS NECESSARY PRIOR TO EACH USE AND EVERY TIME THE L.P. TANK IS REFILLED OR ANYTIME THERE IS A L.P. OR GARLIC SMELL INSIDE OR OUTSIDE OF UNIT. TO INITIATE A GAS CHECK:

1. Turn all appliance pilots and valves to the off position.
2. Turn the main gas valve of the L.P. tank to the open position momentarily then turn off tightly. (At this time you could experience a high reading, this is normal.)
3. Monitor the manometer gauge for a minimum of 30 minutes, there should be no drop in pressure (see Figure 18).

4. Open range burner valve release pressure, and reclose burner valve.
5. Monitor manometer gauge for additional 30 minutes, there should be no pressure indicated during this time.

During use normal reading will be in the green area. If any of the above checks are not as instructed DO NOT USE L.P. system. Turn main valve on L.P. tank to the off position. Contact nearest L.P. service station or your local Cruise Air Dealer for repairs.

Liquid Petroleum Gas (LPG) is the energy source for your range, oven and furnace. It is also an alternate power source for your LPG/electric refrigerator.

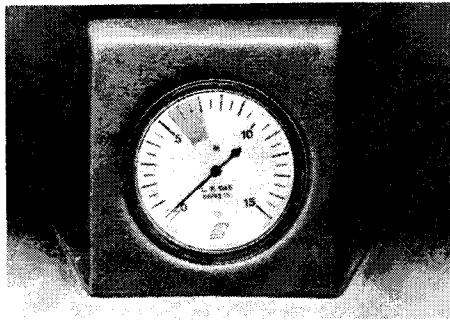


FIGURE 18 – MANOMETER GAUGE

LPG is a colorless gas, but is stored under pressure as liquid. The tank is located under the frame accessible on the outside of the vehicle. It is commercially available under such names as Butane, Propane or other brand names. Though odorless in a natural state, LPG is always odorized to smell like garlic for easy detection in the event of a leak. The gas and the liquid tank in which it is stored are safe and convenient, provided sensible precautions are followed (see Figure 15).

CAUTION

LPG GAS IS FLAMMABLE AND POTENTIALLY EXPLOSIVE. USE PROPER HANDLING, LIGHTING AND VENTILATING PROCEDURES. AS A GAS, LPG IS HEAVIER THAN AIR AND WILL ACCUMULATE IF VENTILATION IS PROVIDED TO PERMIT A DOWNWARD FLOW.

OPERATING YOUR LP GAS SYSTEM AT LOW TEMPERATURES

Your gas system will function well at low temperatures, provided the components are kept at a temperature about the boiling point of the gas.

NOTE: Butane boils or turns to a gas about 32 degrees F and propane boils at about -42 degrees F.

The following are suggestions to keep gas appliances working smoothly:

1. Choose a type of LPG which has a boiling point lower than any temperature you expect to encounter. Ask your LPG supplier or your motor home dealer for information on products available in your area.
2. If outside temperatures get below the boiling point of the LPG in your system, keep exposed area (such as the tank, regulator and lines) at a higher temperature with a protective cover.
3. Keep the system free from water vapor (which may turn to ice in lines and regulators). Commercial additives such as dry methyl alcohol, added to the LPG tank, can help avoid water condensation in the regulator and the lines. Ask your LPG supplier or your motor home dealer.

Despite precautions, the gas flow to your appliance could fail at low temperatures, the stoppage may be due to ice in the LPG regulator as a result of condensed moisture. Try melting the ice by warming the regula-

tor; using a small light bulb on an extension cord – NOT AN OPEN FLAME. Once flow is restored, it may be necessary to protect the regulator or continue to provide a little heat in order to keep the moisture from freezing again. If the problem persists, ask your LPG supplier to service the tank or regulator, removing the moisture or adding an ice-inhibitor as required.

Your system may use LPG stored in a chassis-mounted tank (see Figure 15). The chassis-mounted tank has four controls; the gas pressure regulator, vapor withdrawal (service) valve, the fill valve and the gauge. To provide LPG to appliances, first open the vapor withdrawal service valve all the way (counterclockwise) then close it two-thirds of a turn. When all LPG systems are not in use, close the valve all the way.

CAUTION

DO NOT USE PLIERS OR A WRENCH TO TIGHTEN VALVES. IF A VALVE IS NOT LEAK-TIGHT WHEN CLOSED BY HAND, SEE YOUR LPG GAS SERVICE REPRESENTATIVE. EXTINGUISH ALL PILOTS AND OPEN FLAMES. STOP THE ENGINE AND STOP THE AUXILIARY POWER GENERATOR, IF INSTALLED, BEFORE FILLING LPG TANKS OR FUELING YOUR VEHICLE TANKS. PILOTS AND OPEN FLAMES SHOULD BE EXTINGUISHED WHEN THE VEHICLE IS UNDERWAY AND, BY REGULATION, MUST BE EXTINGUISHED IN CERTAIN AREAS SUCH AS TUNNELS OR RESTRICTED AREAS. CHECK AHEAD TO AREAS WHERE YOU PLAN TO TRAVEL TO DETERMINE ANY SPECIAL REGULATIONS WHICH MAY APPLY.

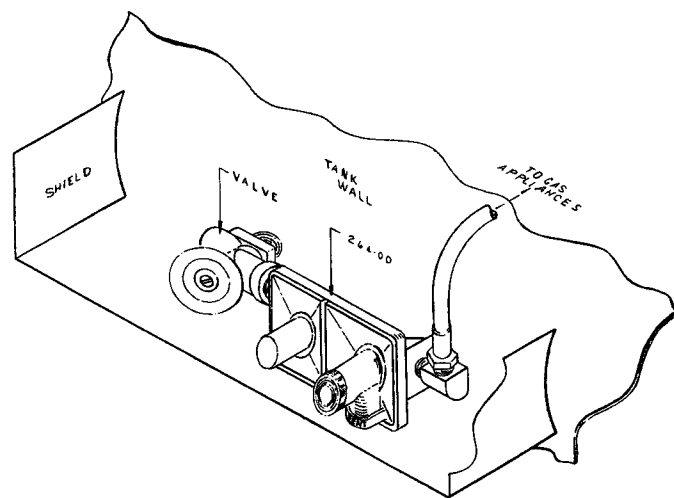


FIGURE 15 – TYPICAL LPG TANK

FILLING THE CHASSIS-MOUNTED LPG TANK

For chassis-mounted storage tank, drive the vehicle to an LPG supplier or one of the service stations which sell LPG to have the tank filled. Look under Gas,

Liquified Petroleum, Bottled and Bulk, in your classified directory or refer to the service directory available at your dealer. For additional information, refer to instructions for your gas appliances provided in your Owner's Information Kit.

LPG SYSTEM LEAK CHECKS

For your safety, check for leaks in your gas system each time the tank is filled or before each trip. Always check the system any time the odor of garlic is detected. To perform a leak check, open the tank valve and spread a soap-bubble solution over all connections. Escaping gas will create visible bubbles to show the location of any leak.

WARNING

NEVER CHECK FOR LEAKS WITH AN OPEN FLAME. IF THE LEAK CANNOT BE LOCATED, TAKE THE UNIT TO AN LPG SERVICE REPRESENTATIVE.

Keep the tank valve closed and turn OFF all appliances if the unit is not being used.

LPG APPLIANCES

Your range top and oven, furnace, and water heater operate on LPG, while your refrigerator can operate on either LPG or electricity. Warranty certificate registration cards, service instructions, and other information are included in the Owner's Information Kit provided with the motor home. All information relating to your appliances should be kept readily available for easy reference.

NOTE: Be sure to fill out and mail the warranty registration cards on all appliances as soon as possible.

It is important to carefully follow all operating and lighting instructions provided on or near each appliance (or in your Owner's Information Kit). For the initial lighting of an LPG appliance, it may be necessary to purge the LPG supply line of air before the appliance will light. To purge a line, open a burner or a pilot valve and hold a flame near the burner. Allow time for air to escape. The time will vary depending on the distance the appliance is located from the LPG tank. After several seconds, the gas should ignite and burn steadily.

RANGE TOP AND OVEN

The range top and oven in your motor home are provided with a vent or range hood. The hood has a power vent fan. Always use the fan when using the oven or range top in order to ensure adequate ventilation. When cooking for long periods of time with a large number of people in the home, it may be desirable to open a window or a roof vent slightly to further increase ventilation level.

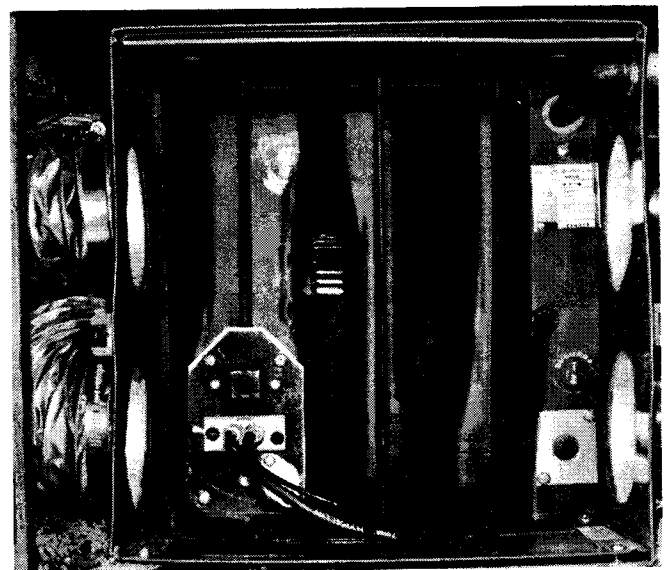
CAUTION

DO NOT USE OPEN FLAMES, SUCH AS THE OVEN OR RANGE TOP, TO WARM THE LIVING AREA BECAUSE GAS COMBUSTION CONSUMES THE OXYGEN INSIDE THE HOME.

The oven has a pilot light. Refer to information on the appliance or from the manufacturer for instructions on use. When using the oven pilot, note that the type of heat-actuated ignition control used for the main oven burner may result in a normal delay of a few seconds, after the oven control knob is turned ON, before the main oven burner ignites. If you are sure the pilot is burning, anticipate approximately five (5) seconds delay for the burner to ignite. If it doesn't ignite within five (5) seconds, turn the control knob OFF and check the pilot light or the supply.

FORCED AIR FURNACE

Your motor home is equipped with a recirculating 12-volt fan and either a manual heat control setting or a forced-air ducted circulation system (see Figure 16). Controls will be on or near the furnace and will include a wall-mounted thermostat. The furnace will keep room temperatures at a comfortable level by activating fan and gas controls as temperatures inside the motor home vary. Refer to information on lighting, operation, adjustment, and service on the furnace case (under the inside access door).



FORCED AIR FURNACE

FIGURE 16 – TYPICAL FURNACE

WATER HEATER

Your motor home is equipped with an LPG-fueled water heater. The heater is a storage type much like that in your home. There is a thermostatic control on the heater to maintain the water temperature within a preset range. Before lighting the water heater, make sure that it is filled with water by turning on a hot water faucet such as the one at the galley sink. If water is supplied from the on-board fresh water tank, the pump must be ON. If water flows continuously, the heater is full of water. If water does not flow (and pressurized water is available), leave the faucet open until the tank fills. For lighting and operating instructions, refer to the manufacturer's instruction manual or see the instructions under the heater access panel (see Figure 17).

LPG ELECTRIC REFRIGERATOR

Your refrigerator has separate controls for LPG fuel and electric power. Some models may operate on either 12 volts (optional) or 115-volt in addition to LPG gas. Consult the operating instructions furnished by the manufacturer in the manual and posted inside the refrigerator door. Before operating the refrigerator, be sure the vehicle is level. If it is not level, circulation of the refrigerant may be blocked by liquid accumulated in the condenser coils and cooling action would stop. Check the level at the refrigerator by placing a bubble-type leveling device (available from your dealer) on the freezer shelf. Adjust the level by blocking and blocking under the wheels.

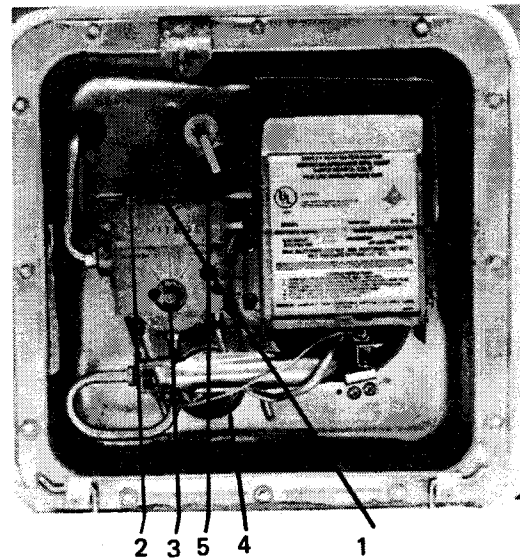
EQUIPMENT AND FURNISHINGS

PEDESTAL SEATS

Pedestal seats may have two types of position controls. The seat can be moved forward or back by releasing the catch under the front of the seat. The seat may swivel in either direction by loosening the twist-lock on the side of the pedestal base. The armrests fold down by lifting the arm rest, moving it forward and releasing. To return the arm rest to position, reverse the motion. Be certain that seat controls and locks are secure prior to driving the vehicle and never adjust the seat position while in motion.

SPRING-BALANCED BUNK BEDS

Spring-balanced overhead bunks (optional) are located on the ceiling in the front and/or rear. These are moved to position simply by placing both hands on the center rim and pulling firmly down and forward (or down and back, for the rear bunk) against counter-tensioned springs. Be sure that fastener straps provided to hold the bunks in the UP position are properly snapped when traveling. Assure that sun



1. Flame-Out Valve 3. Heat Control 5. Relief Valve
2. Pilot-Light Control 4. Drain

NOTE: For gas appliance with flame-out valves, press while lighting and hold until flame stays lit when released.

FIGURE 17 – TYPICAL WATER HEATER

NOTE: Unlike most household refrigerators, the refrigerator will be completely silent when operating on electric power.

CAUTION

IF YOUR UNIT IS EQUIPPED WITH THE OPTIONAL NORCOLD REFRIGERATOR, CONSULT THE MANUFACTURER'S OPERATING MANUAL FOR PROPER OPERATION AND LIMITATIONS.

visors are down and out of the way before moving the front bunks down. When returning bunks to the raised position, be sure that no loose items which may strike the ceiling are on top of the bunk. The overhead bunk should not be used as a storage area.

PEDESTAL DINETTE TABLES

To convert a pedestal-style dinette table into a bed, proceed as follows:

1. Remove the top by lifting the table evenly, at the same time giving a gentle twist or rocking motion to loosen the top of the pedestal.
2. Remove the pedestal from the socket with a lifting, turning motion (rocking the metal gently if necessary).
3. Store the pedestal in any of the convenient compartments or closets provided.
4. Place table top in position to complete base for bed.
5. Slide seat and back cushions into place over bed area.

FLIP UP GAUCHO BEDS

To convert Flip-Up Gaucho Seat into a bed, proceed as follows:

1. Pull up hinged front, by pulling it out and up from bottom.
2. Unfold metal legs to support outside edge.
3. Arrange the cushions by putting the back cushion down in place to make a bed.

DINETTE BED

A combination dinette and bed may be provided on the passenger side near the driver's compartment. This dinette combination may be converted into a bed as follows:

1. Fold the table leg by releasing the catch. Relocate the table by lifting the end (to release from the support brackets). Let the table, with the leg folded, drop into down position.
2. Arrange cushions to make a bed.

STORAGE

Storage facilities on your motor home have been es-

pecially designed to remain secure while the vehicle is in motion. Exterior compartments have key-operated locks except for the LPG compartment, which is required by fire-preventive regulations to be unlocked at all times. Drawers rest in small notches or detents when closed; to open, lift slightly to clear the detent, then pull open normally. For best results, follow a few simple rules when stowing articles in the motor home.

1. Always keep tools and equipment stored in areas where they will not shift while traveling.
2. Wherever possible, place heavy articles in storage compartments which are low and between the axles for better weight distribution.
3. Use a "packing" technique of the articles in a compartment to prevent shifting. If necessary, secure articles with strap to prevent movement.
4. Be sure that containers holding liquids are capped and cannot tip or spill. When glass containers (or dishes) are transported, secure them well to protect against accidental breakage.

CARE AND MAINTENANCE

INTERIOR CLEANING

Draperies, Cushions and Upholstery Fabrics

The furniture and decor of your motor home use materials and fabrics, often synthetics, which require only the simplest care. Before using a cleaning product on fabrics, always check the labels to identify the materials, then use the products recommended for that material. If the labels do not specify otherwise, drapes and cover fabrics must be dry cleaned. Vinyl fabrics may be cleaned using a mild detergent and a damp sponge or cloth.

Wall Paneling

The paneling and the ceiling of your motor home may be any of several finishes and textures. Never use strong detergents or abrasive cleaners on walls or ceilings. Most surfaces will clean with a soft cloth which has been dampened with mild liquid detergent in warm water; avoid the use of large amounts of water. Many panel suppliers suggest that one of the aerosol products designed for cleaning and preserving wood surfaces may be excellent for walls if used in accordance with manufacturer's instructions.

Carpeting

Use any approved cleaning product or procedure

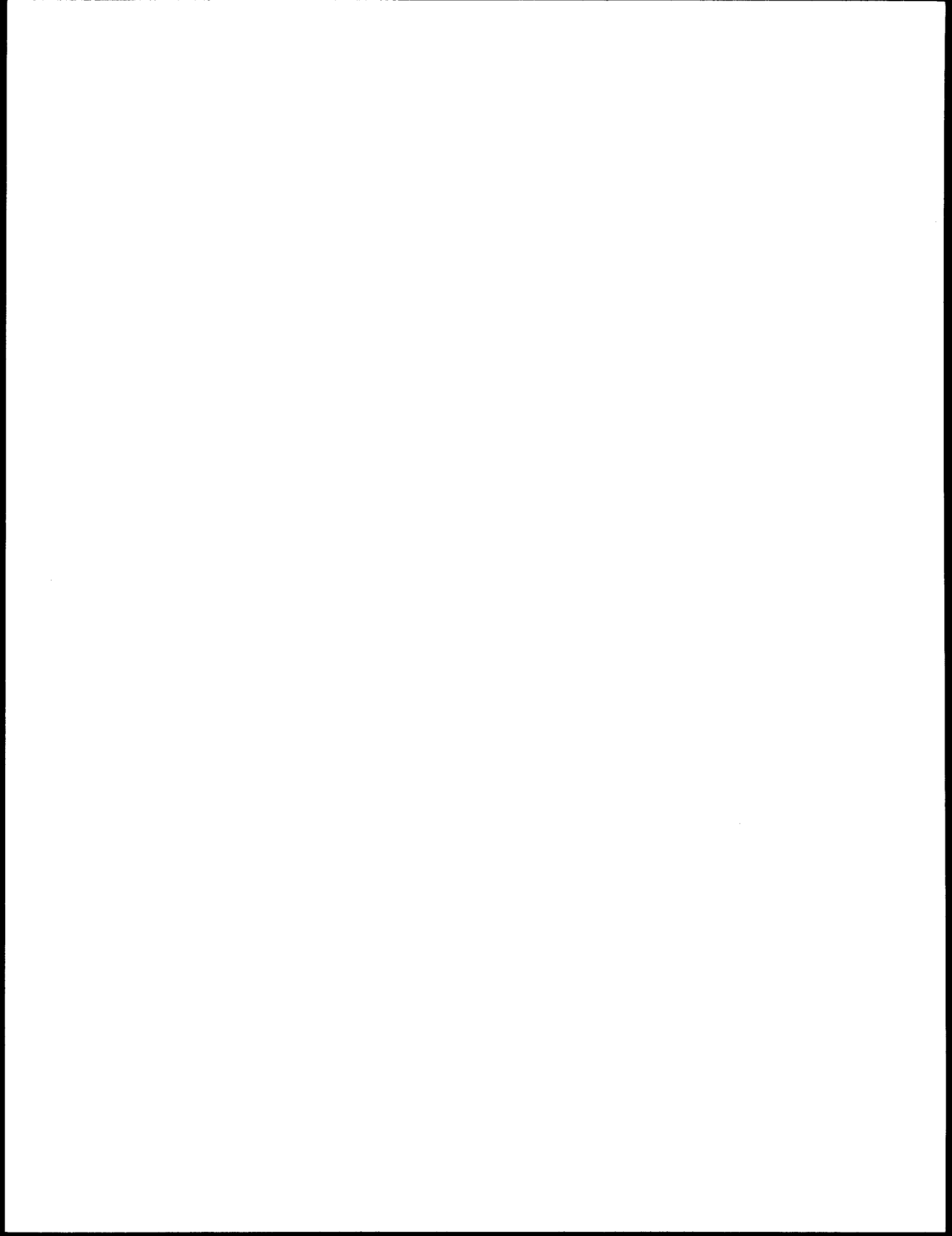
which is recommended for cleaning indoor type carpets.

Fixtures

Sinks, baths, showers or other fiberglass fixtures should be cleaned only with warm water and mild detergent or special cleaners — harsh abrasives may scratch or discolor the surface, causing it to have to be refinished or replaced. It is recommended that NO ammonia or cleaner with ammonia in it, be used on fiberglass. Should a fiberglass surface become chipped or scratched, it can be often repaired successfully by your local serviceman. Minor repairs can often be done by home owners themselves using repair kits available in a variety of colors and finishes at most hardware or paint stores.

Windows

Moving parts of windows and latches should be kept adjusted and maintained. It is advisable to lubricate the windows with a light oil or powdered graphite at least once a year. The screws holding the windows in place should be checked and tightened periodically and the weather sealant checked for voids. Screens may be cleaned by gently wiping with a damp cloth or soft flat brush designed for the purpose.



Annual lubrication of locksets and latches is recommended to ensure trouble-free operation. If your motor home is located at the beach or is exposed to salt air, more frequent lubrication may be needed. One of the lubricants recommended by many locksmiths is powdered graphite, available in a hand-tube at most hardware or supply stores.

A record should be kept of the identification number of keys, with the make of lockset in your home. With this information alone it will be possible to obtain duplicates for any key that might be lost.

PLUMBING

The water supply plumbing should require little, if any maintenance. Refer to information provided by the water pump manufacturer for any special maintenance recommendations on the pump mechanism. Refer to the recommendations from the toilet or tank manufacturer relating to maintenance of chemical additives which may be appropriate for those components. Plumbing system drains and traps should be kept clean. Chemical products recommended for plastic pipe may be used in the main lines. Precautions must be taken when using a mechanical device to remove obstructions from a main line, to avoid damage to fittings and seals.

CONDENSATION AND VENTILATION

It is important that moisture-laden air not be allowed to build-up inside your motor home. Moisture buildup is often evident from the forming of a water film on windows and other cooled surfaces. Particular precautions may be appropriate in kitchen or bath areas where normal washing or cooking activities can release water vapor or steam into the air. The following steps are recommended.

Keep air circulating by providing ample fresh air through adequate ventilation.

When using shower, keep the bath vent open. Keep bathroom door closed for 20 or 30 minutes after use to permit moisture to escape through the vent.

Avoid hanging wet clothing to dry inside the motor home. If it cannot be avoided, use the ventilated bath with the door closed.

WARNING

ANY PRODUCTS IN THIS VEHICLE CONTAIN FORMALDEHYDE. IT IS A SUBSTANCE WHICH MAY BE AN IRRITANT TO SOME PEOPLE, UNDER SOME CIRCUMSTANCES. YOU MAY EXPERIENCE GREATER CONCENTRATION DURING HIGH HUMIDITY AND TEMPERATURES, BUT YOU WILL NOTICE THAT THE FORMALDEHYDE EMISSIONS QUICKLY DECREASE. IF YOU ARE AFFECTED, VENTILATE THE MOTOR HOME AND LEAVE IT UNTIL THE FORMALDEHYDE DISIPATES. PLEASE CONTACT OUR CUSTOMER SERVICE DEPARTMENT IF YOU DESIRE ASSISTANCE.

EXTERIOR CARE

Exterior Glass and Trim

The exterior finish on your motor home is as easy to care for as the finish on your car. To keep it clean, simply hose it down with water, wiping the wet surface with a cloth or sponge if necessary. Do not use harsh abrasives or strong solvents on exterior surfaces.

Accumulated dirt or road film resulting from storage or from heavy travel should loosen easily with warm water and a mild detergent. Rinse with plain water. Application of a good quality automotive wax will protect the finish still more and add lustre to the color.

Roof

The metal adhesives and sealants used to construct your metal roof has been chosen especially to remain waterproof under the sustained effects of weather and vibration. Periodically, inspect the roof with careful attention as to possible scrapes or dents caused by over-hanging obstructions. Wash dirt and grime from the roof when washing the motor home to help minimize oxidation of the roof materials, then apply one of the roof sealing compounds available from your dealer or from trailer supply stores to any dents, nicks or holes.

SEALANT CHECK OF ALL SEAMS AND MOLDINGS

Checking of all seams and moldings for deterioration, shrinkage and cracking of the protective sealers should be performed at least once every six (6) months. Resealing should be done as soon as any of these conditions are noted to prevent damage from water leakage. When resealing, use only quality sealers such as silicone or silaprene. Make sure all surfaces to be resealed are clean and all old sealant has been removed.

Repairs

Your dealer should be able to perform most repairs of service required for your motor home. Repair or service for warranted appliances in your motor home will normally be handled through the appliance manufacturer in accordance with warranty instructions provided in the owner's kit. Your dealer will be glad to assist, if you have difficulty obtaining service through your appliance service representative.

Refer to Your Chassis Operator's Manual and to other information provided by the chassis manufacturer for chassis service instructions.

Repair of glass, fiberglass, aluminum or some plastic components can often be accomplished by camper/trailer service firms or by automobile body shops. Check with your dealer or look in the Classified Section of your telephone directory or newspaper.

It is recommended that all chassis body bolts be checked once a year for tightness to prevent rattles due to vibration.

